

Discover 125ST



Discover 125ST

Bajaj Auto Limited
Akurdi Pune 411 035 India
www.bajajauto.com

Spare Parts Catalogue



Notice

DISCOVER 125ST

All information contained in this manual is based on the latest product information at the time of publication. Bajaj Auto Limited accepts no liability for any inaccuracies or omissions in this publication, although every possible care has been taken to make it as complete and accurate as possible. All procedures and specifications subject to change without prior notice. The right is reserved to make such changes at any time without prior notice and without incurring an obligation to make such changes to product manufactured previously. Contact your authorized Bajaj Dealer for the latest information on product improvements incorporated after this manual was issued.

REV. JAN 2022

Copy rights : All rights reserved. No part of this publicatin may be reproduced, stored in a retrival system, Or transmitted in any form or by any means, electronic mechanical photocopying, recording or otherwise, without the prior written permission of Bajaj Auto LTD.

We have pleasure in presenting the Spare Parts Catalogue for 'Discover 125 ST' Motorcycle. This catalogue has been specially designed to assist you in selecting the correct parts for procurement to maintain 100% availability.

The Bajaj spares are subjected to the stringent quality control standards to ensure longer life of the vehicle. It is therefore necessary that only the Genuine Bajaj Spares are used.

In a continual effort to improve Performance and Efficiency of the vehicles, Specifications, Diagrams, Illustrations and Part Numbers can change without notice. Consequently, the description in this Spare Parts Catalogue cannot therefore be final and binding on us.

The modifications / alterations which are carried out after the issue of this catalogue, will be conveyed to you through our Service Circulars. You are requested to make necessary corrections in the Parts Catalogue as per the circulars so as to keep your catalogue up-to-date. This will ensure the appropriate and speedy delivery of the Spare Parts as the order placed will bear the latest part numbers.

In case, if you need any technical assistance contact the concerned Regional Office or write to us on the following address :

Bajaj Auto Limited
Spares - International Business
Akurdi, Pune 411 035 India

1. How to Read the Catalogue : Open the catalogue and from the pictorial index locate the group in which the part you want to find is present. Turn over to the concerned page number (as given by pictorial index). Now find out the figure of the part you wish to order. Write down the part number against that particular figure number from the text.

In case, if you have the part number and you need the other details, the part index can be used. The part index (at the end of the catalogue) will give you the figure and page number of the part you wish to order.

2. How to Order Spare Parts : The part number and the description of the part required should be invariably mentioned in the order as per the catalogue text.

The latest part number as conveyed through our service circulars should only appear on the order. In case of ordering painted components, colour shade of the components should be mentioned.

The quantity shown against the part number is the quantity per vehicle for that group so that particular quantity should be multiplied by the number of sets required.

3. Part Number System : We have used 8 digit system for part numbers. The model or hardware item is indicated by first two digits or alphanumeric, the next two or four digits indicate main group and the last four or two digits indicate serial number in main group or serial number or subgroup of fastener respectively. Thus the part numbers will be indicated by 2-2-4 or 2-4-2 digit system. Understanding this system will enable you to identify the spare parts easily.

4. Abbreviations : The following abbreviations are used in this catalogue.

Assly	Assembly	V	Volts
N.I.	Not illustrated	W	Watts
C'case	Crankcase	Accl.	Accelerator
Cyl	Cylinder	Comp.	Complete
O/s	Over size	Fr.	Front
Rr.	Rear	Std.	Standard
L	Length	A/t.	Alternate
R.H.	Right hand	L.H.	Left hand
Hex.	Hexagonal	AR	As required

Index

DISCOVER 125ST

Plate No.	Description	Page No.
1	Cover Cylinder Head	2
2	Cylinder Head	4
3	Valve	6
4	Camshaft / Tensioner	8
5	Cylinder and Piston	10
6	Crankshaft	12
7	Transmission	14
8	Change Drum / Shift Fork	16
9	Gear Change Mechanism	18
10	Engine Assly / Crankcase RH	20
11	Crankcase LH	22
12	Oil Pump	24
13	Kick Starter Mechanism	26
14	Cover Clutch	28
15	Cover Magneto	30
16	Clutch Assly	32
17	Carburettor (125ST)	34
18	Carburettor (100T)	36
19	Air Cleaner Complete	38
20	Silencer Assly	40
21	Starter Assly	42
22	Magneto, C.D.I. & H.T. Coil	44
23	Seat Assly / Seat Lock	46
24	Engine Mountings	48
25	Frame and Frame Fitting	50
26	Swing Arm/Rear Shock Absorber (125ST)	52
27	Swing Arm/Rear Shock Absorber (100T)	54
28	Rider Foot Rest	56
29	Pillion Foot Rest & Holder	58
30	Mudguard- Front & Rear	60
31	Stand Assembly	62

Index

DISCOVER 125ST

Plate No.	Description	Page No.
32	Tyre/ Tube / Rim	64
33	Front Hub (125ST)	66
34	Front Hub (100T)	68
35	Front Master Cylinder (125ST)	70
36	Front Disc Brake (125ST)	72
37	Rear Hub (125ST)	74
38	Rear Hub (100T)	76
39	Rear Brake Pedal	78
40	Handle Bar Assly	80
41	Front Fork	82
42	Painted Parts & Decals	84-86
43	Petrol Tank, Cap Tank & Gauge Fuel	88
44	Fittings - Petrol Tank, Side Cover & Cover Seat	90
45	Meter Assly.	92
46	Control Cables	94
47	Chain Case (125ST)	96
48	Chain Case (100T)	98
49	Head Lamp & Fairing	100
50	Indicator Light Assly.	102
51	Tail Lamp Assly. / Front No. Plate	104
52	Electrical Equipments	106
53	Tool Kit	108
54	Accessories / Grab Handle	110
	Kits List	111-116
	Amendment Sheet	
	Part Index	117-134

Pictorial Index

DISCOVER 125 ST

<p>PLATE NO. : 1 COVER CYLINDER HEAD</p>	<p>PAGE NO. 2</p>	<p>PLATE NO. : 2 CYLINDER HEAD</p>	<p>PAGE NO. 4</p>

<p>PLATE NO. : 3 VALVE</p>	<p>PAGE NO. 6</p>	<p>PLATE NO. : 4 CAMSHAFT / TENSIONER</p>	<p>PAGE NO. 8</p>

Pictorial Index

DISCOVER 125 ST

<p>PLATE NO. : 5 CYLINDER & PISTON</p>	<p>PAGE NO. 10</p>	<p>PLATE NO. : 6 CRANKSHAFT</p>	<p>PAGE NO. 12</p>

<p>PLATE NO. : 7 TRANSMISSION</p>	<p>PAGE NO. 14</p>	<p>PLATE NO. : 8 CHANGE DRUM / SHIFT FORK</p>	<p>PAGE NO. 16</p>

Pictorial Index

DISCOVER 125ST

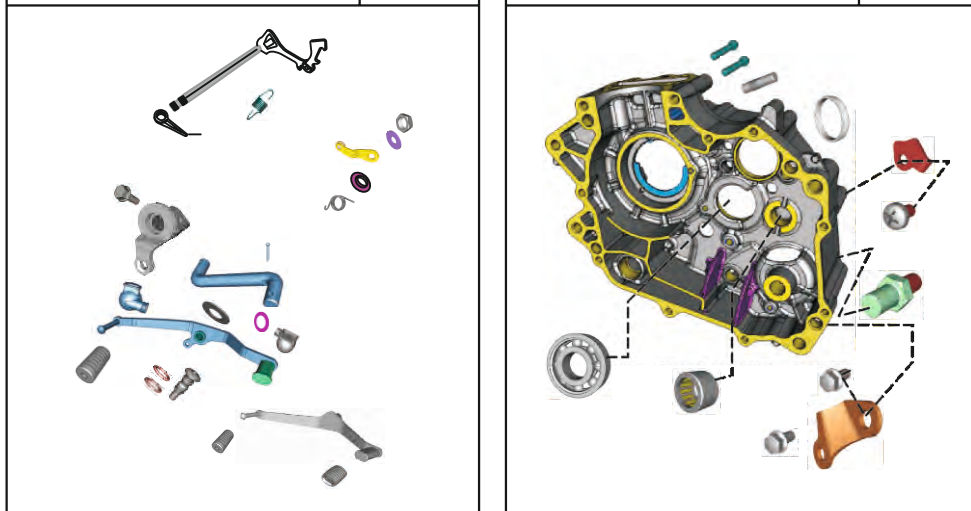
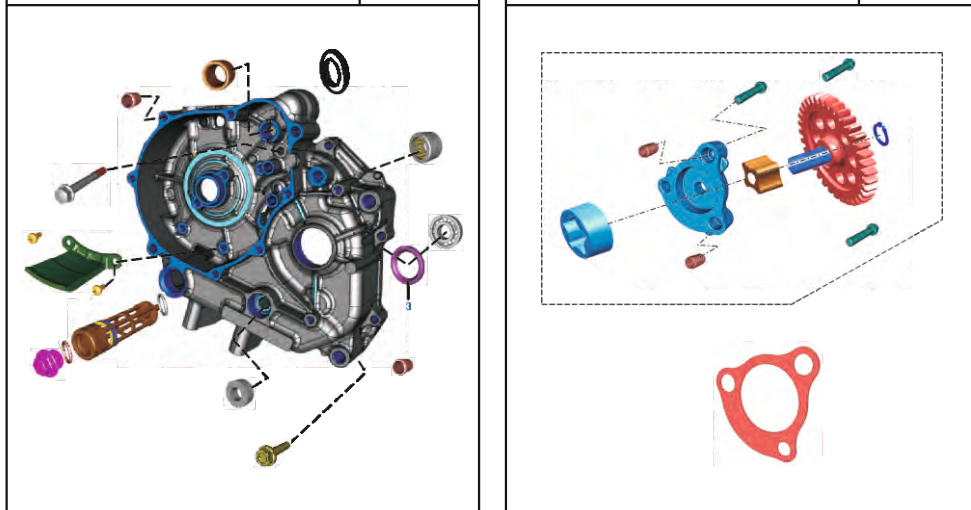
PLATE NO. : 9 GEAR CHANGE MECHANISM	PAGE NO. 18	PLATE NO. : 10 ENGINE ASSLY & CRANKCASE	PAGE NO. RH 20
			

PLATE NO. : 11 CRANKCASE LH	PAGE NO. 22	PLATE NO. : 12 OIL PUMP	PAGE NO. 24
			

Pictorial Index

DISCOVER 125ST

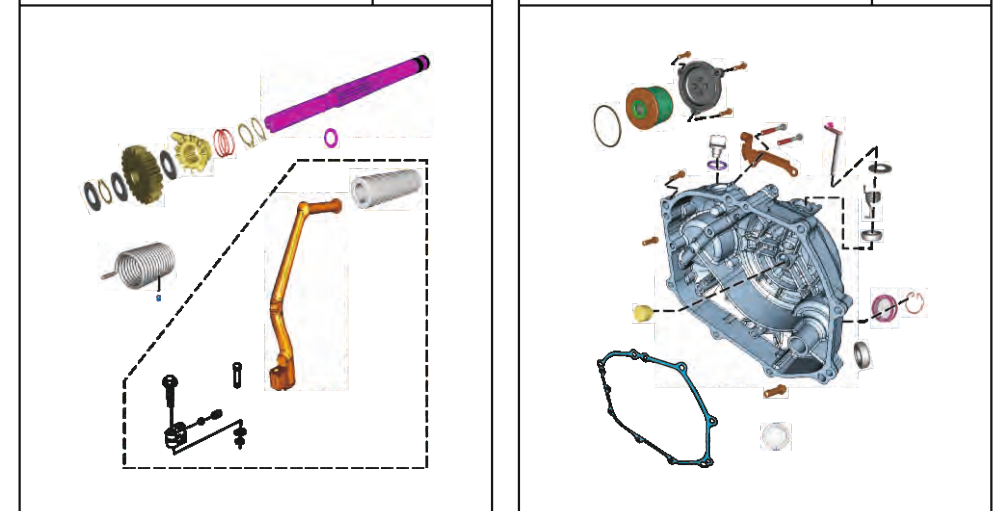
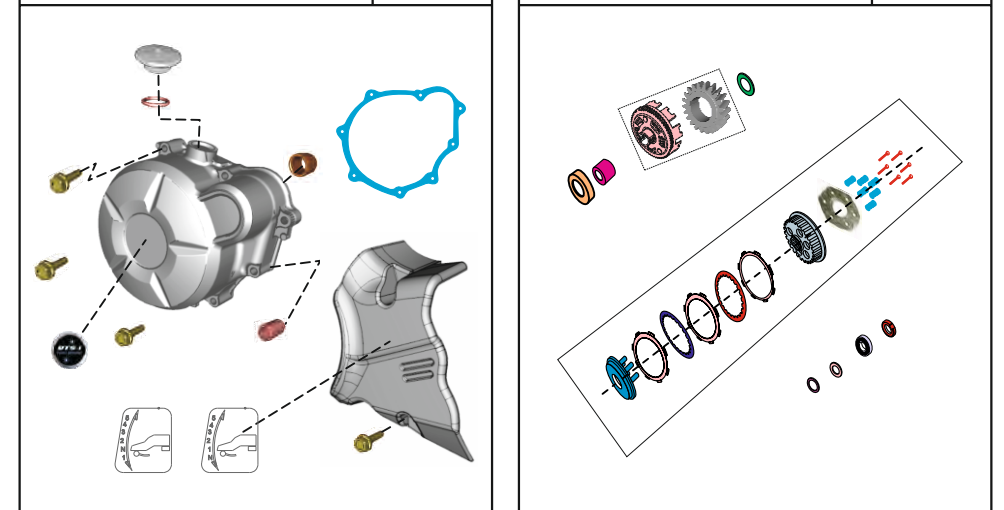
PLATE NO. : 13 KICK STARTER MECHANISM	PAGE NO. 26	PLATE NO. : 14 COVER CLUTCH	PAGE NO. 28
			

PLATE NO. : 15 COVER MAGNETO	PAGE NO. 30	PLATE NO. : 16 CLUTCH ASSLY	PAGE NO. 32
			

Pictorial Index

DISCOVER 125 ST

PLATE NO. : 17
CARBURETTOR (125 ST)

PAGE NO.
34

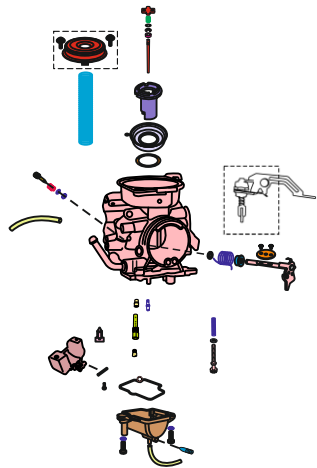


PLATE NO. : 19
AIR CLEANER COMPLETE

PAGE NO.
38

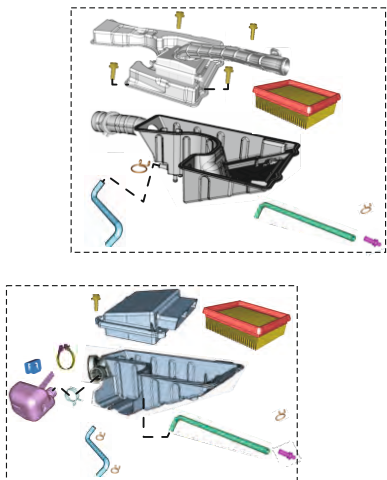
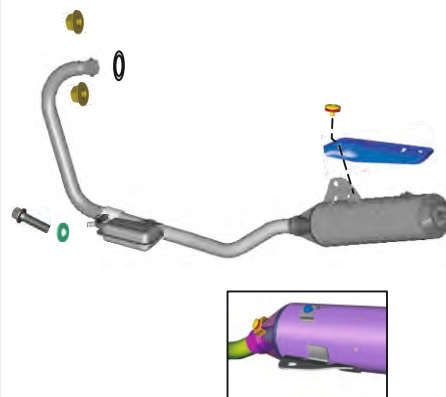


PLATE NO. : 20
SILENCER ASSLY

PAGE NO.
40



Pictorial Index

DISCOVER 125 ST

PLATE NO. : 21
STARTER ASSLY

PAGE NO.
42

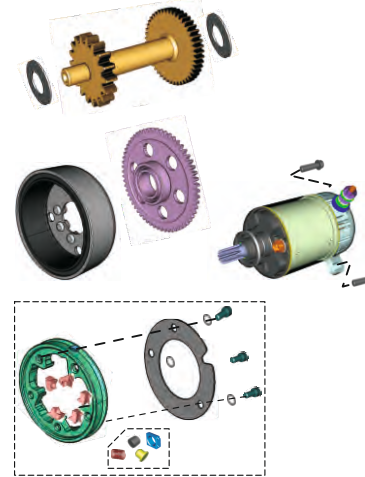


PLATE NO. : 23
SEAT ASSLY / SEAT LOCK

PAGE NO.
46

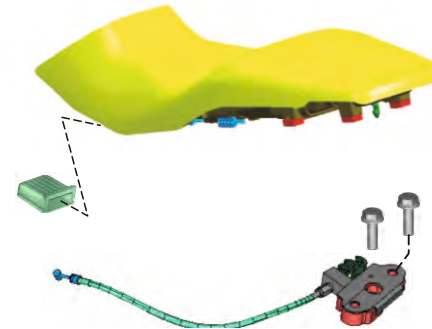


PLATE NO. : 22
MAGNETO, C.D.I. & H.T. COIL

PAGE NO.
44

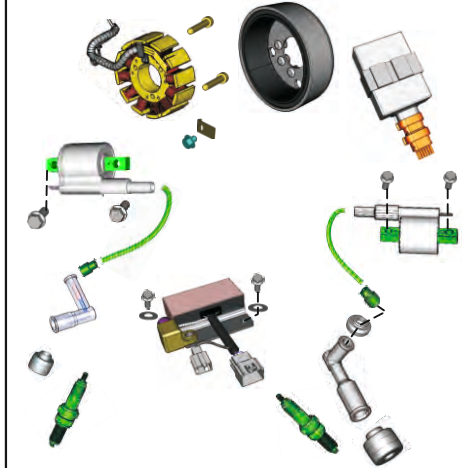
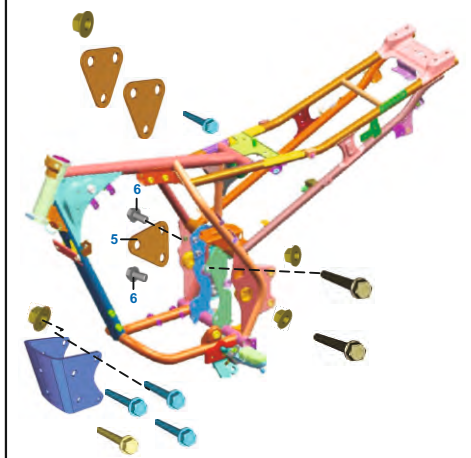


PLATE NO. : 24
ENGINE MOUNTINGS

PAGE NO.
48



Pictorial Index

DISCOVER 125 ST

PLATE NO. : 25
FRAME AND FRAME FITTINGS

PAGE NO.
50

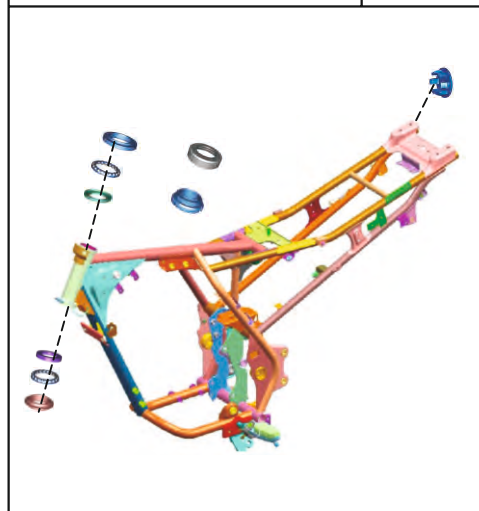


PLATE NO. : 26
SWING ARM / REAR SHOCK
ABSORBER (125 ST)

PAGE NO.
52

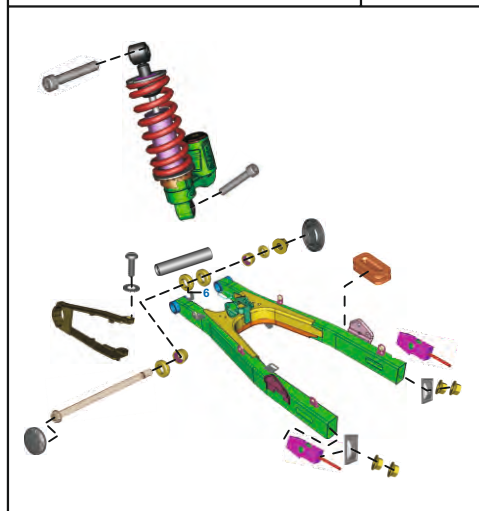


PLATE NO. : 27
SWING ARM /
REAR SHOCK ABSORBER (100 T)

PAGE NO.
54

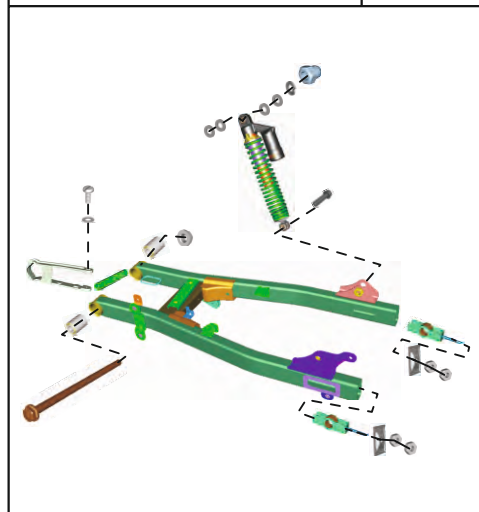
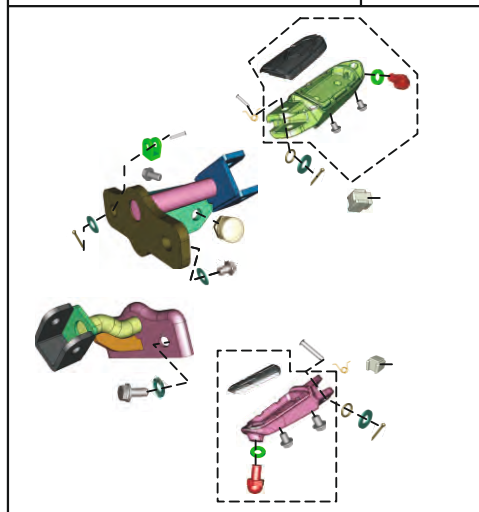


PLATE NO. : 28
RIDER FOOT REST

PAGE NO.
56



Pictorial Index

DISCOVER 125 ST

PLATE NO. : 29
PILLION FOOT REST /
HOLDER STEP

PAGE NO.
58

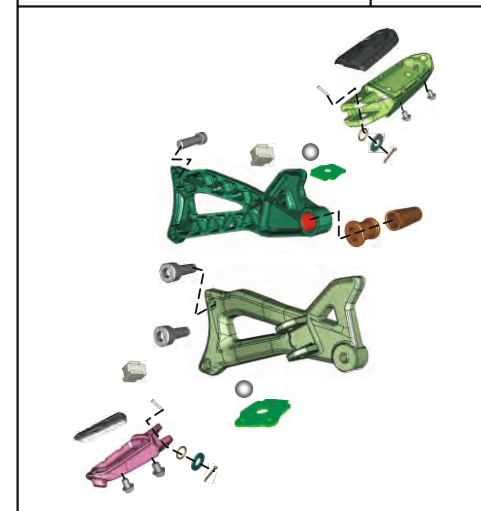


PLATE NO. : 30
MUDGUARD - FRONT & REAR

PAGE NO.
60

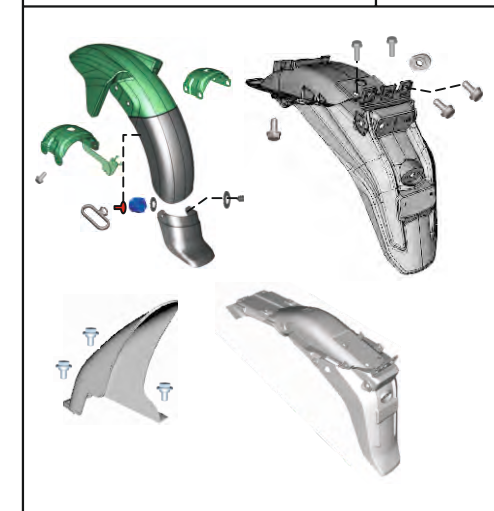


PLATE NO. : 31
STAND ASSEMBLY

PAGE NO.
62

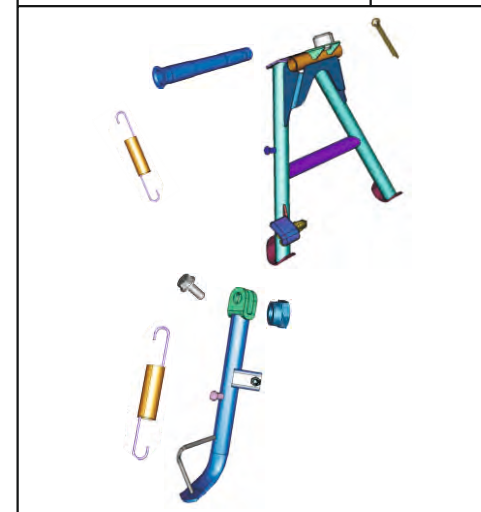
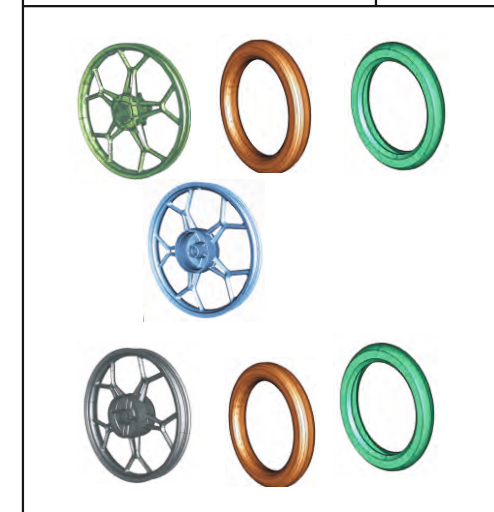


PLATE NO. : 32
TUBE / TYRE / RIM

PAGE NO.
64



Pictorial Index

DISCOVER 125 ST

PLATE NO. : 33
FRONT HUB (125 ST)

PAGE NO.
66

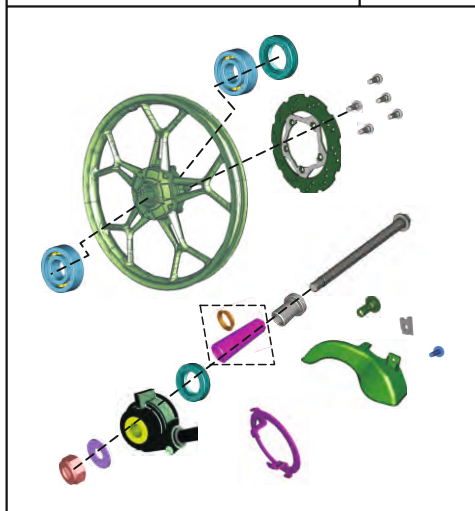


PLATE NO. : 34
FRONT HUB (100 T)

PAGE NO.
68

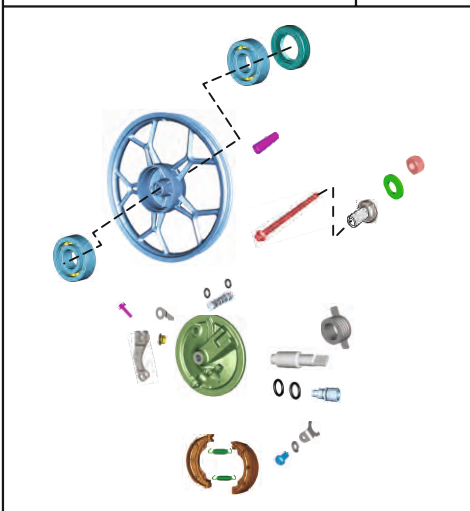


PLATE NO. : 35
FRONT MASTER CYLINDER (125 ST)0

PAGE NO.

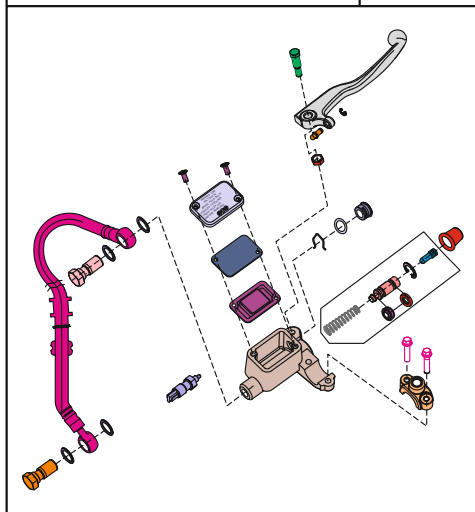
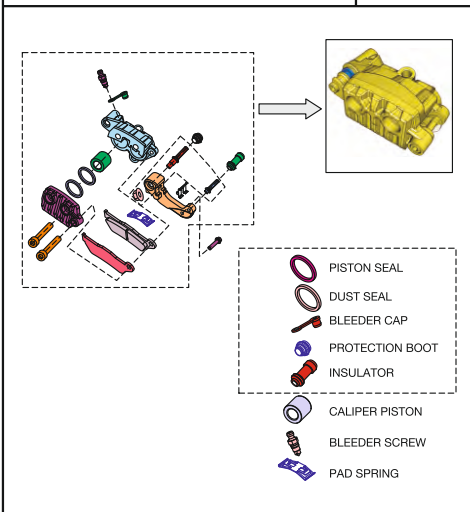


PLATE NO. : 36
FRONT DISC BRAKE (125 ST)

PAGE NO.
72



Pictorial Index

DISCOVER 125 ST

PLATE NO. : 37
REAR HUB (125 ST)

PAGE NO.
74



PLATE NO. : 38
REAR HUB (100 T)

PAGE NO.
76

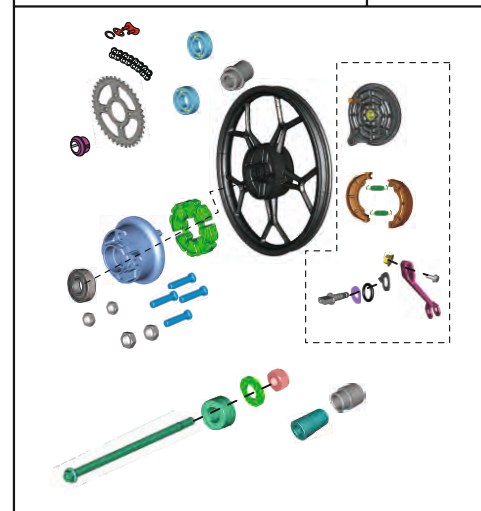


PLATE NO. : 39
REAR BRAKE PEDAL

PAGE NO.
78

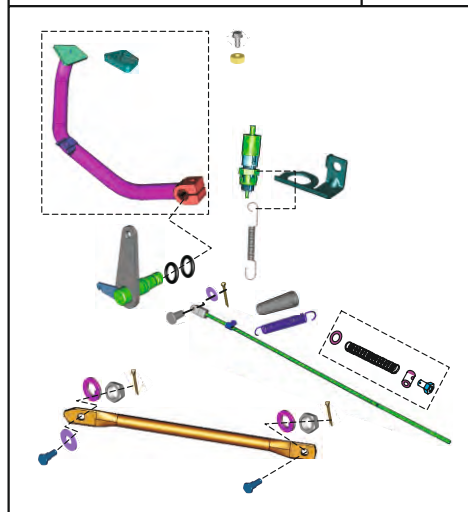
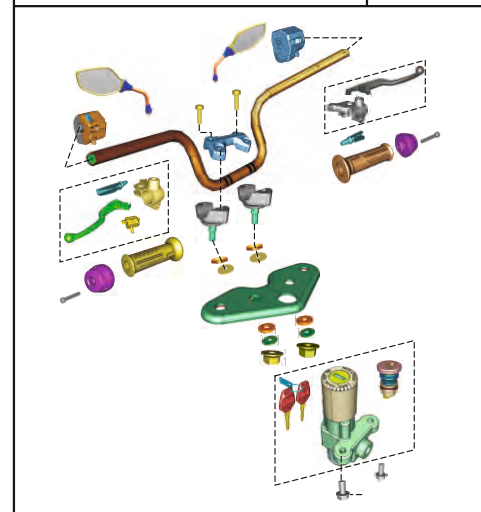


PLATE NO. : 40
HANDLE BAR ASSEMBLY

PAGE NO.
80



Pictorial Index

DISCOVER 125 ST

PLATE NO. : 41
FRONT FORK

PAGE NO.
82

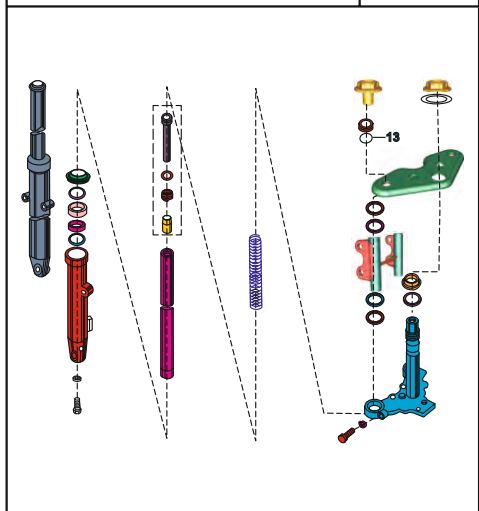


PLATE NO. : 42
PAINTED PARTS AND DECALS

PAGE NO.
84, 86

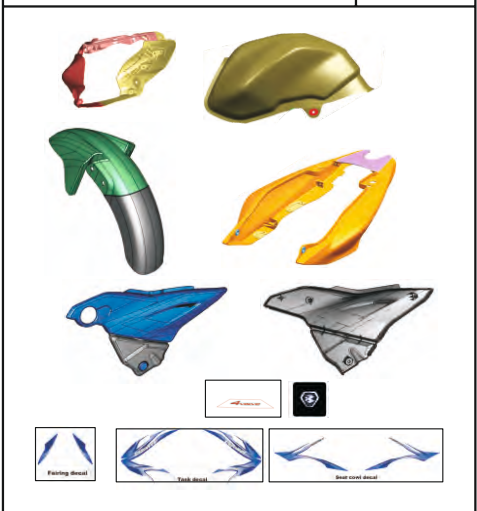


PLATE NO. : 43
PETROL TANK, CAP TANK AND
GAUGE FUEL

PAGE NO.
88

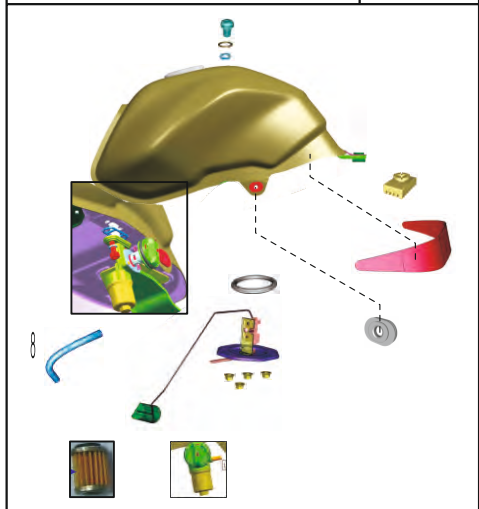


PLATE NO. : 44
FITTINGS - PETROL TANK COVER,
SIDE COVERS & COVER SEAT

PAGE NO.
90



Pictorial Index

DISCOVER 125 ST

PLATE NO. : 45
METER ASSEMBLY

PAGE NO.
92

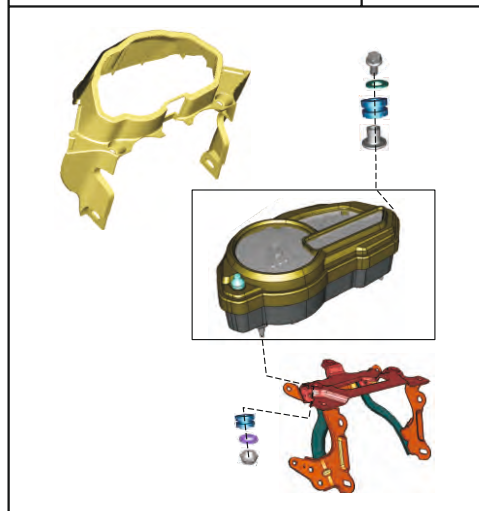


PLATE NO. : 46
CONTROL CABLES

PAGE NO.
94

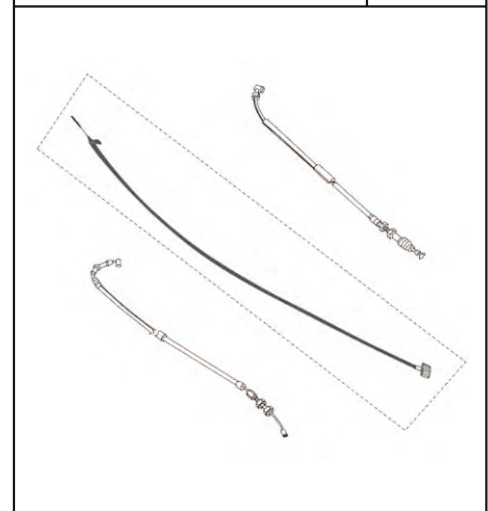


PLATE NO. : 47
CHAIN CASE (125 ST)

PAGE NO.
96

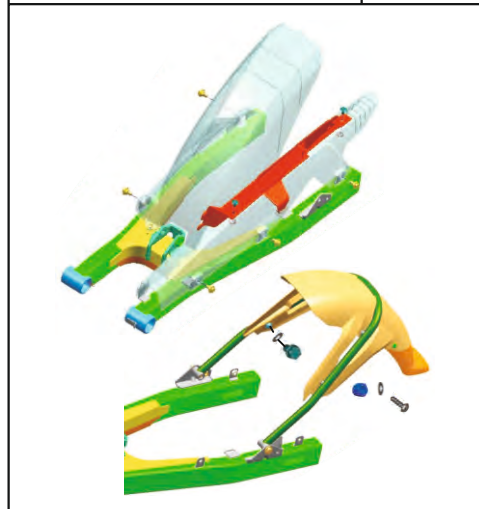
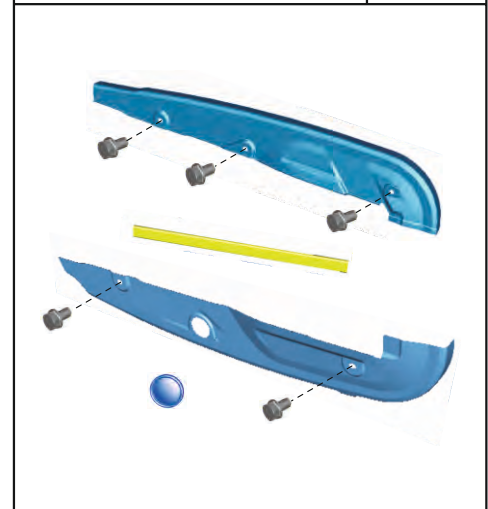


PLATE NO. : 48
CHAIN CASE (100 T)

PAGE NO.
98



Pictorial Index

DISCOVER 125 ST

PLATE NO. : 49
HEAD LAMP & FAIRING

PAGE NO.
100

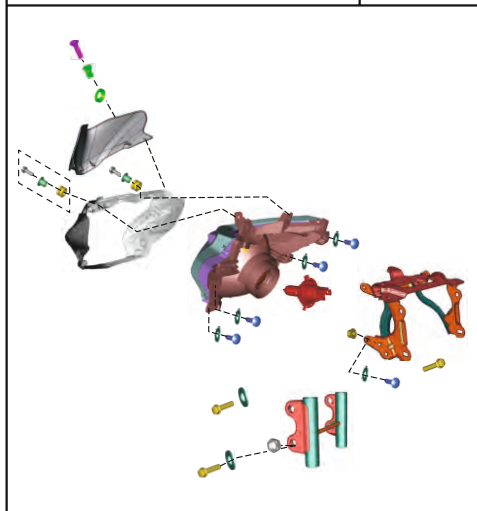


PLATE NO. : 50
INDICATOR LIGHT ASSEMBLY

PAGE NO.
102



PLATE NO. : 51
TAIL LAMP ASSLY /
FRONT NUMBER PLATE

PAGE NO.
104

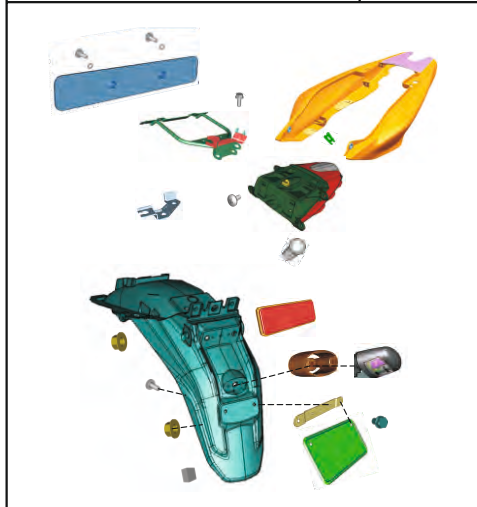
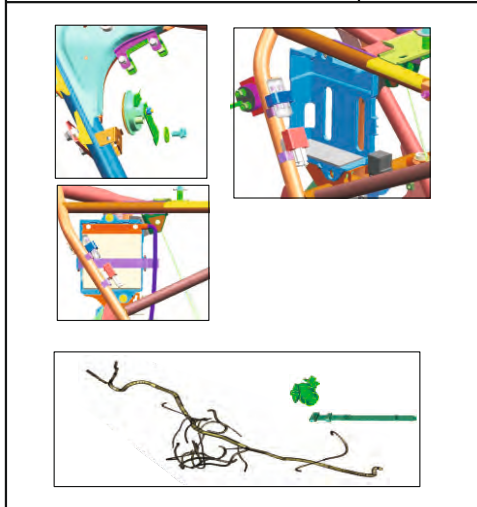


PLATE NO. : 52
ELECTRICAL EQUIPMENTS

PAGE NO.
106



Pictorial Index

DISCOVER 125 ST

PLATE NO. : 53
TOOL KIT

PAGE NO.
108

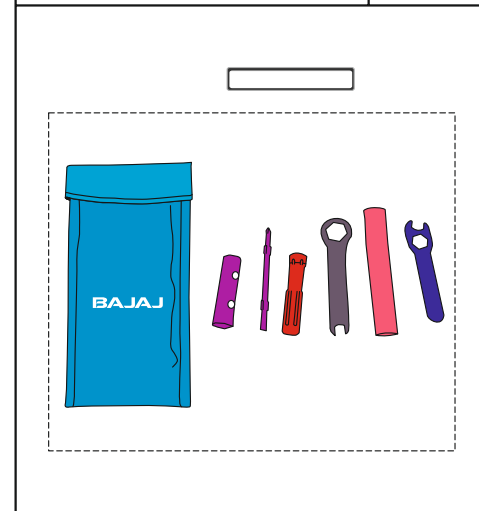
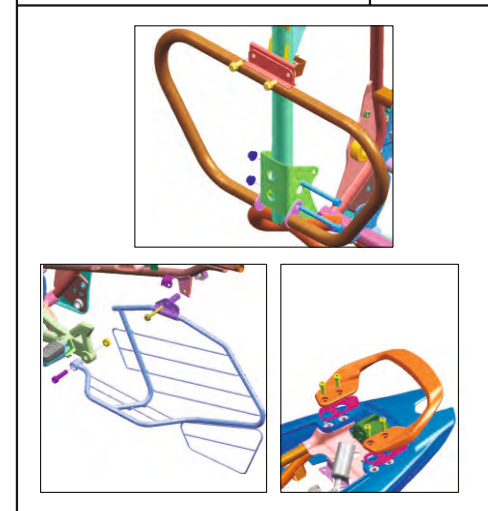
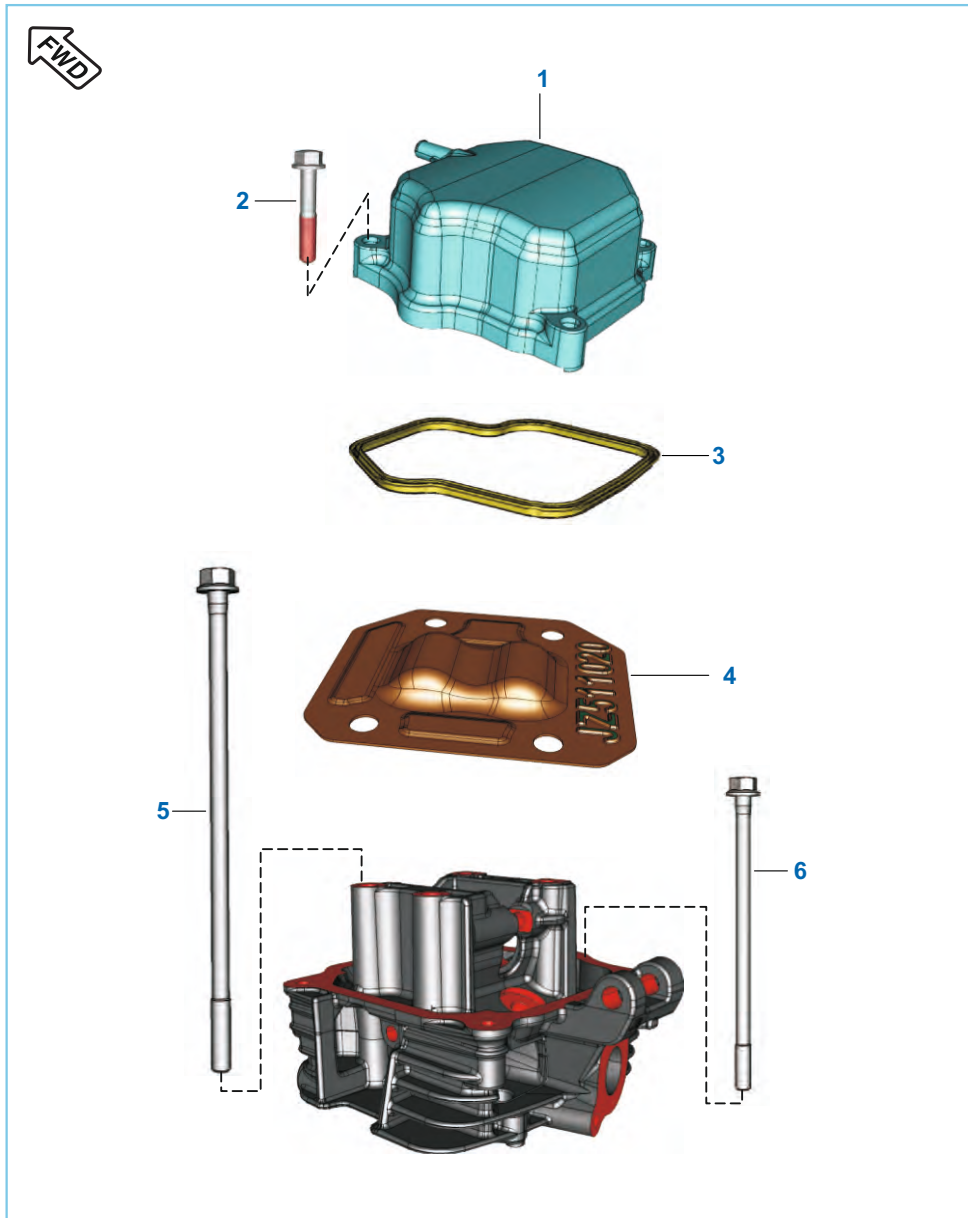


PLATE NO. : 54
ACCESSORIES / GRAB HANDLE

PAGE NO.
110

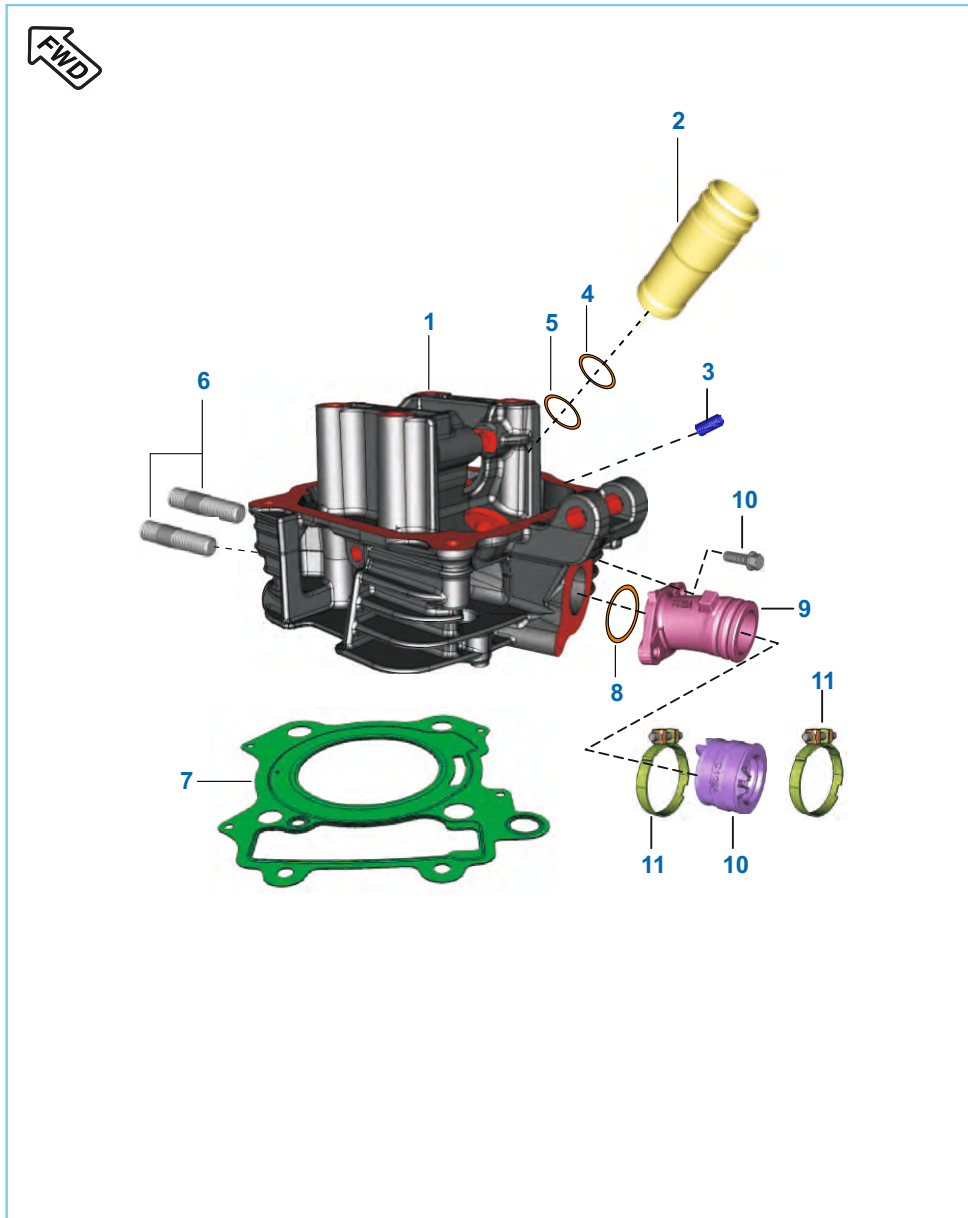


Cover Cylinder Head



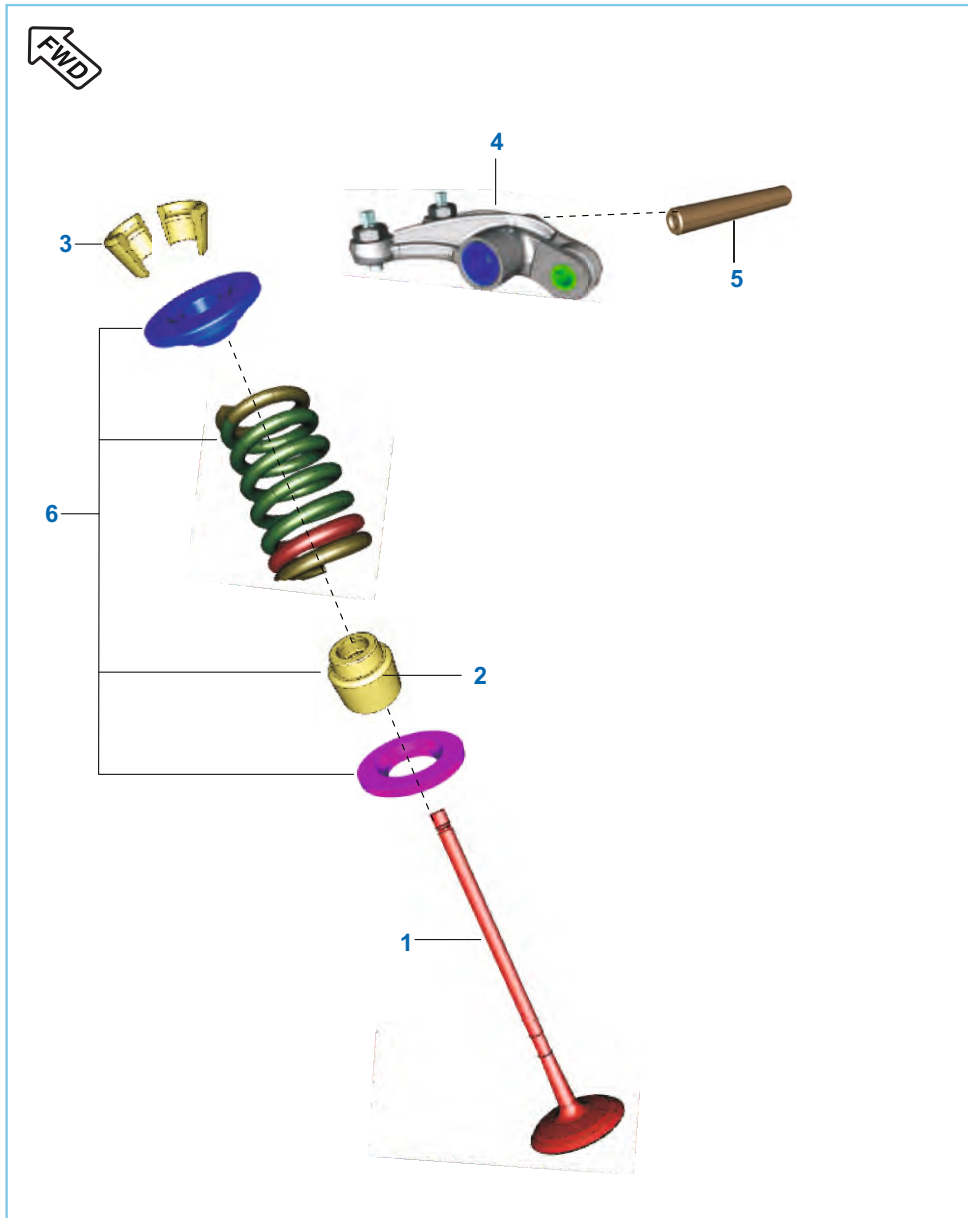
No.	Part No.	Description	Qty.	Remarks
1	JZ 5110 21	Assembly Cover Cyl Head	1	
2	59 0400 38	Bolt	4	
3	JD 5110 10	Gasket Head Cover	1	
4	PA 5110 39	Plate Cylinder Head	1	
5	JA 5110 08	Bolt Head Mounting-M8X1.25X196L	4	
6	59 0400 50	Flanged Bolt M8X1.25X148L	1	

Cylinder Head



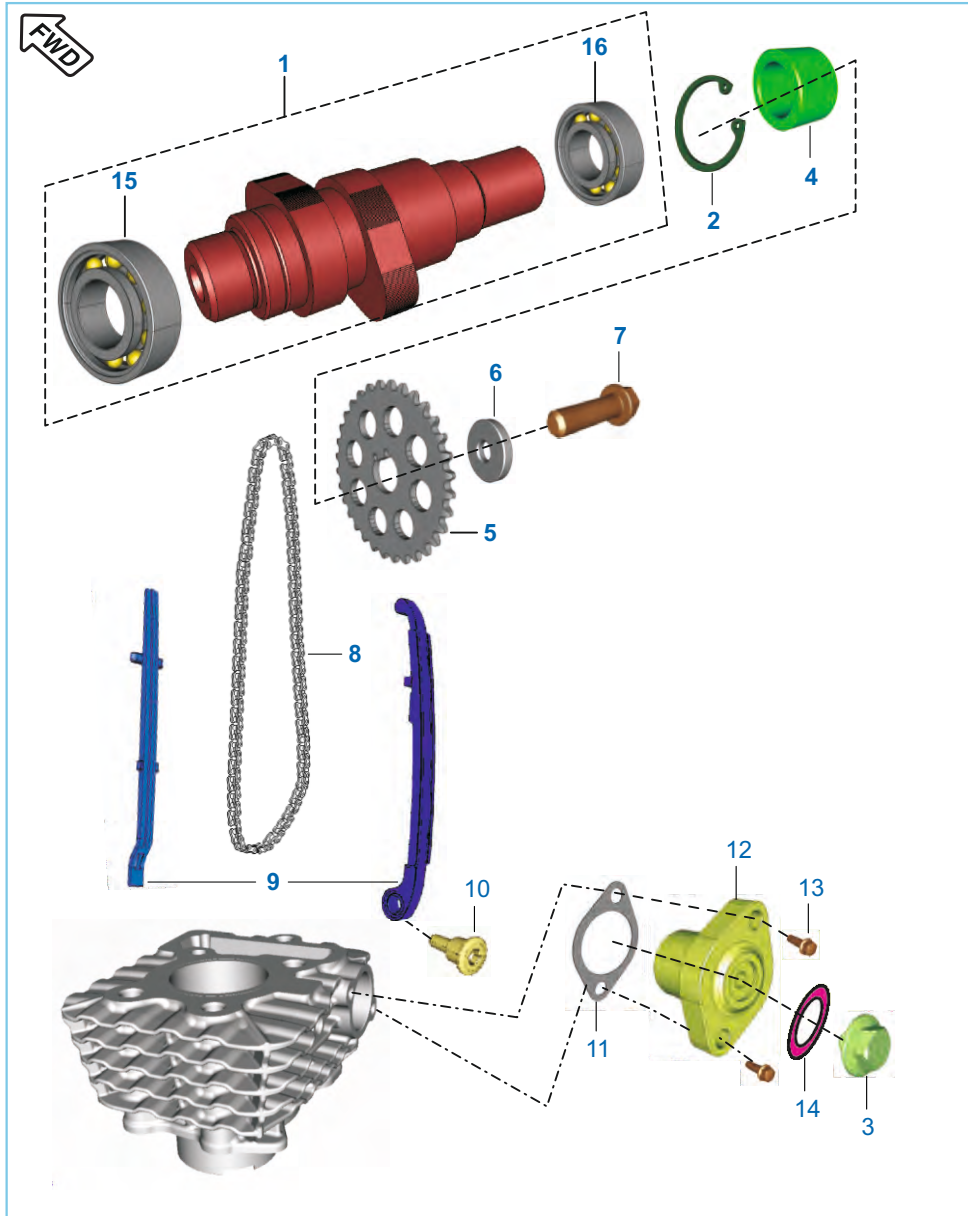
No.	Part No.	Description	Qty.	Remarks
1	36 JZ00 79	Kit Asly Cyl Head	1	
2	JD 5110 04	Sleeve Spark Plug	1	
3	39 2608 01	Screw - Grub - M5 X 0.8 X 7	1	
4	39 1283 21	O-Ring	1	
5	39 2629 21	O-Ring	1	
6	JA 5110 28	Stud M8X1.25X451	2	
7	JD 5110 08	Gasket Cylinder Head	1	
8	39 2539 21	Ring - O	1	
9	JZ 5814 05	Manifold	1	
10	JZ 5812 29	Sleeve Carburettor	1	
11	AA 1210 71	Clamp - Carburettor Duct	2	

Valve



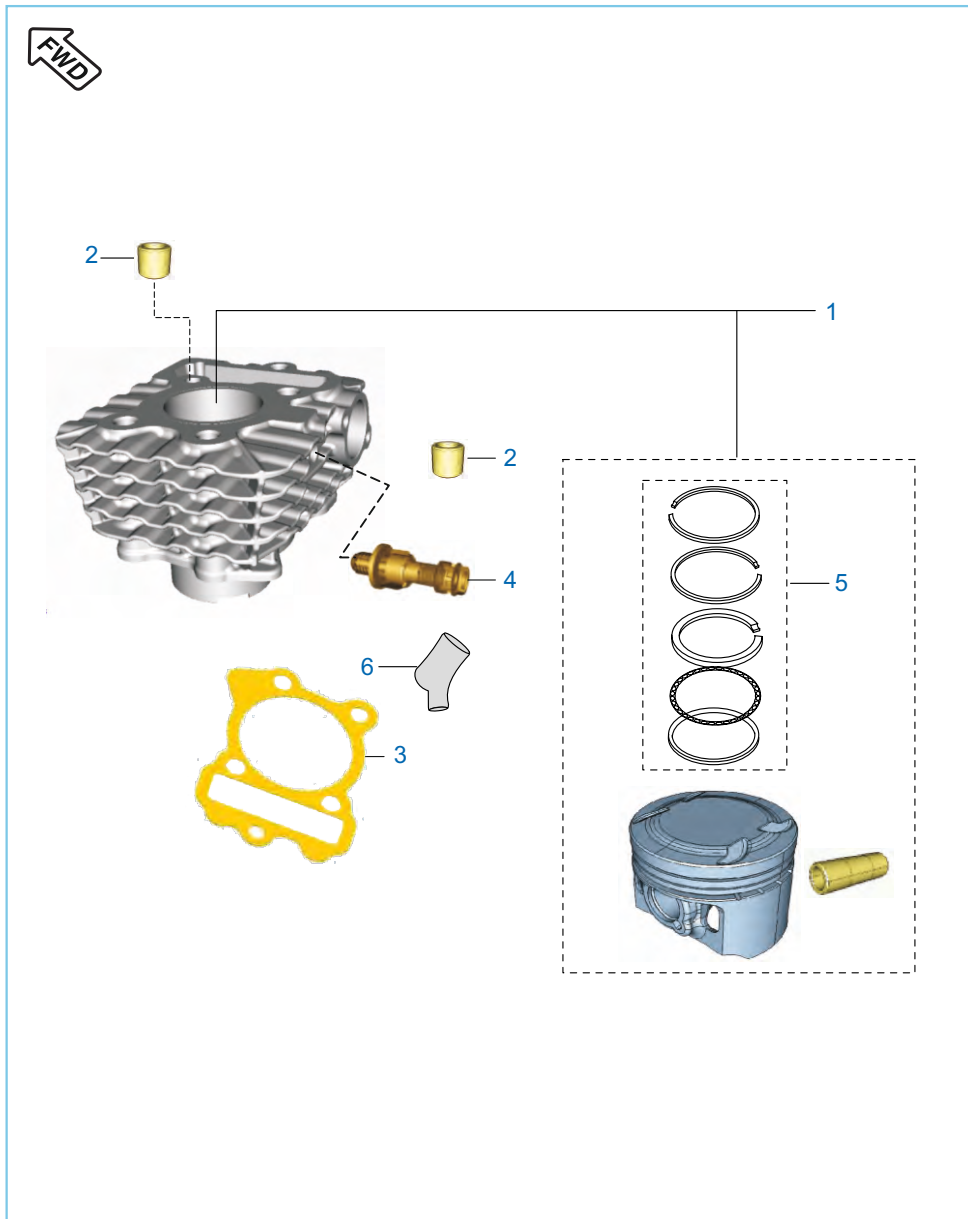
No.	Part No.	Description	Qty.	Remarks
1	36 JE00 28	Kit Valve + Valve Oil Seal	1	
2	39 2017 19	Seal - Oil	4	
3	DG 1010 29	Collet	8	
4	JE 5112 04	Rocker Arm With Roller	2	
5	JD 5112 09	Shaft Rocker Arm Intake	2	
6	36 JE00 01	Kit Valve Repair Sprint	4	

Camshaft / Tensioner



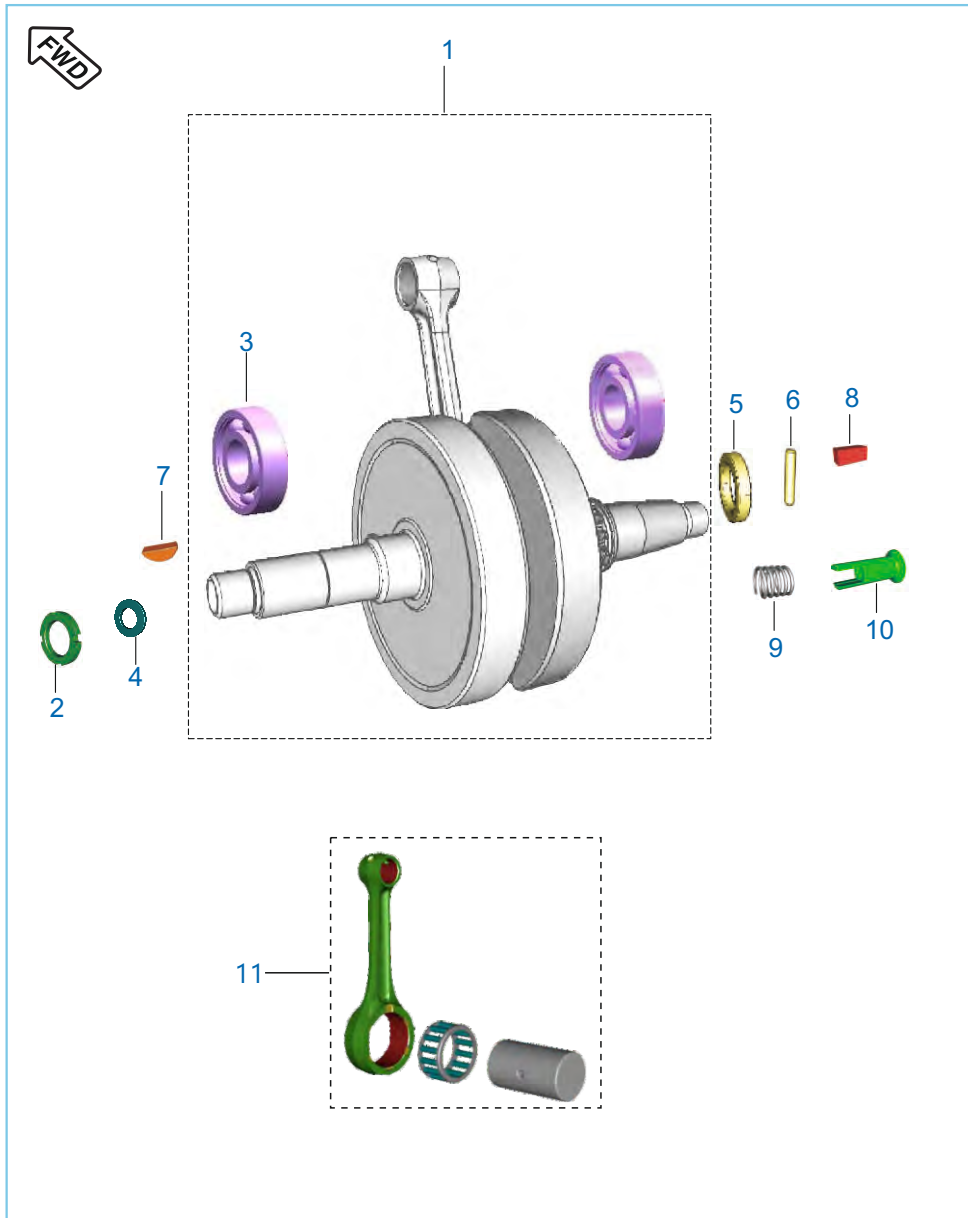
No.	Part No.	Description	Qty.	Remarks
1	JE 5112 06	Camshaft Comp Assly P145 Ug	1	
2	39 0594 17	Circlip - Internal	1	
3	DD 1010 62	Bolt	1	
4	JA 5112 16	Spacer Cam Sprocket	1	
5	DS 1012 76	Sprocket - Cam Driven :- 32 Teeth	1	
6	DH 1010 48	Washer - Special :- Camshaft	1	
7	DK 1013 86	Precoated Soc Hd Cap Bolt	1	
8	JE 5112 30	Cam Chain 94 Links (straight)	1	
9	36 PA01 15	Kit Guide Cam Chain-d125t	1	
10	DH 1013 92	Pre-coated Tensioner Pivot Bolt	1	
11	CS 1011 28	Gasket	1	
12	JE 5210 16	Tensioner Chain	1	
13	39 1673 04	Bolt	2	
14	39 2669 21	Ring - 'o' (id 10.15x1.5)	1	
15	JE 5110 49	Bearing Cam Shaft	1	
16	39 1880 20	Bearing Ball :- 15 X 32 X 9	1	

Cylinder and Piston



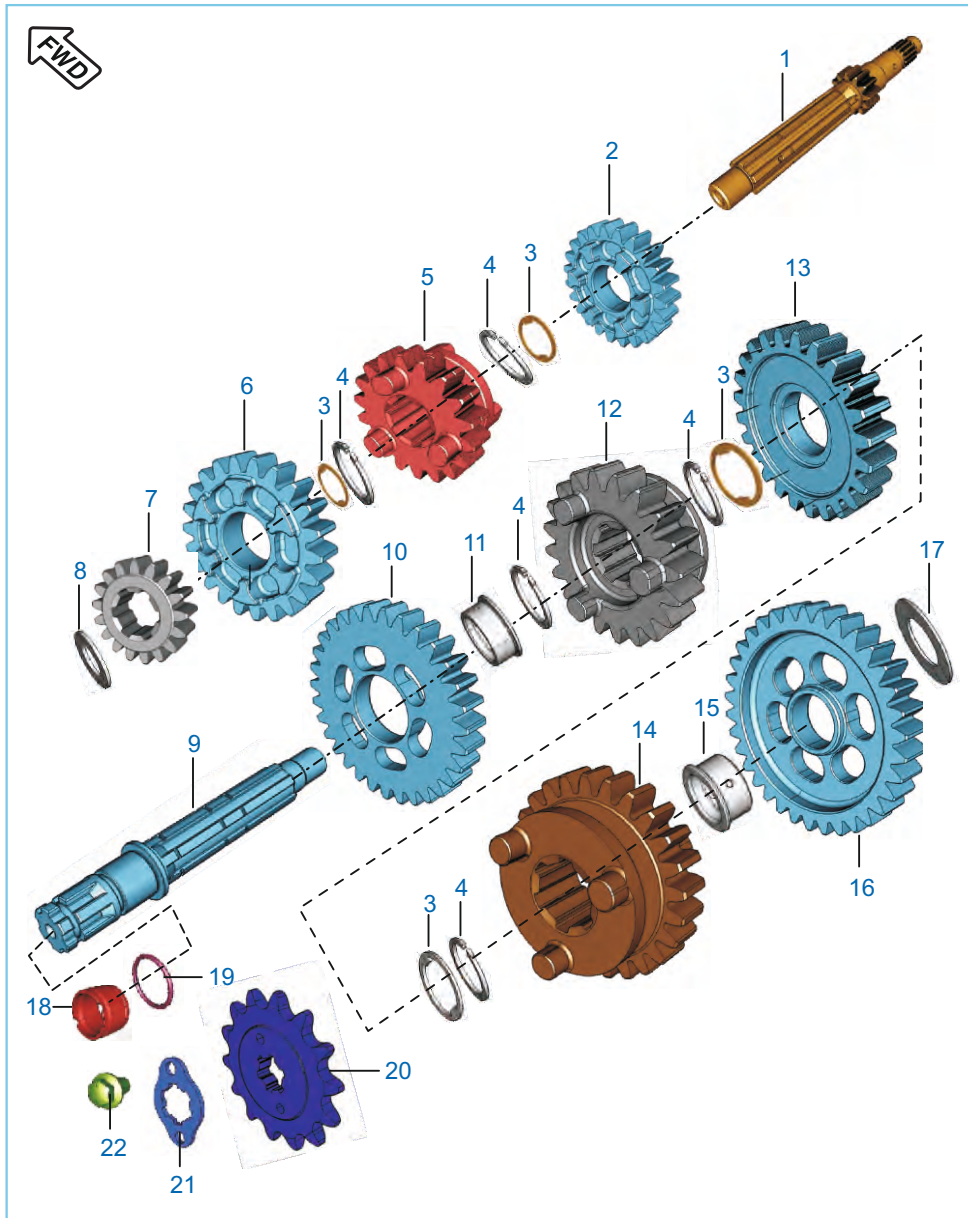
No.	Part No.	Description	Qty.	Remarks
1	36 JZ00 74	Kit Block & Piston	1	
2	39 1000 06	Pin - Hollow Dowel	2	
3	JH 5210 07	Gasket Cylinder Block	1	
4	JE 3514 01	Engine Temp Sensor	1	
5	36 JE00 02	Kit Piston Ring Set Sprint	1	
6	JB 4022 02	Grommet ETS	1	

Crankshaft



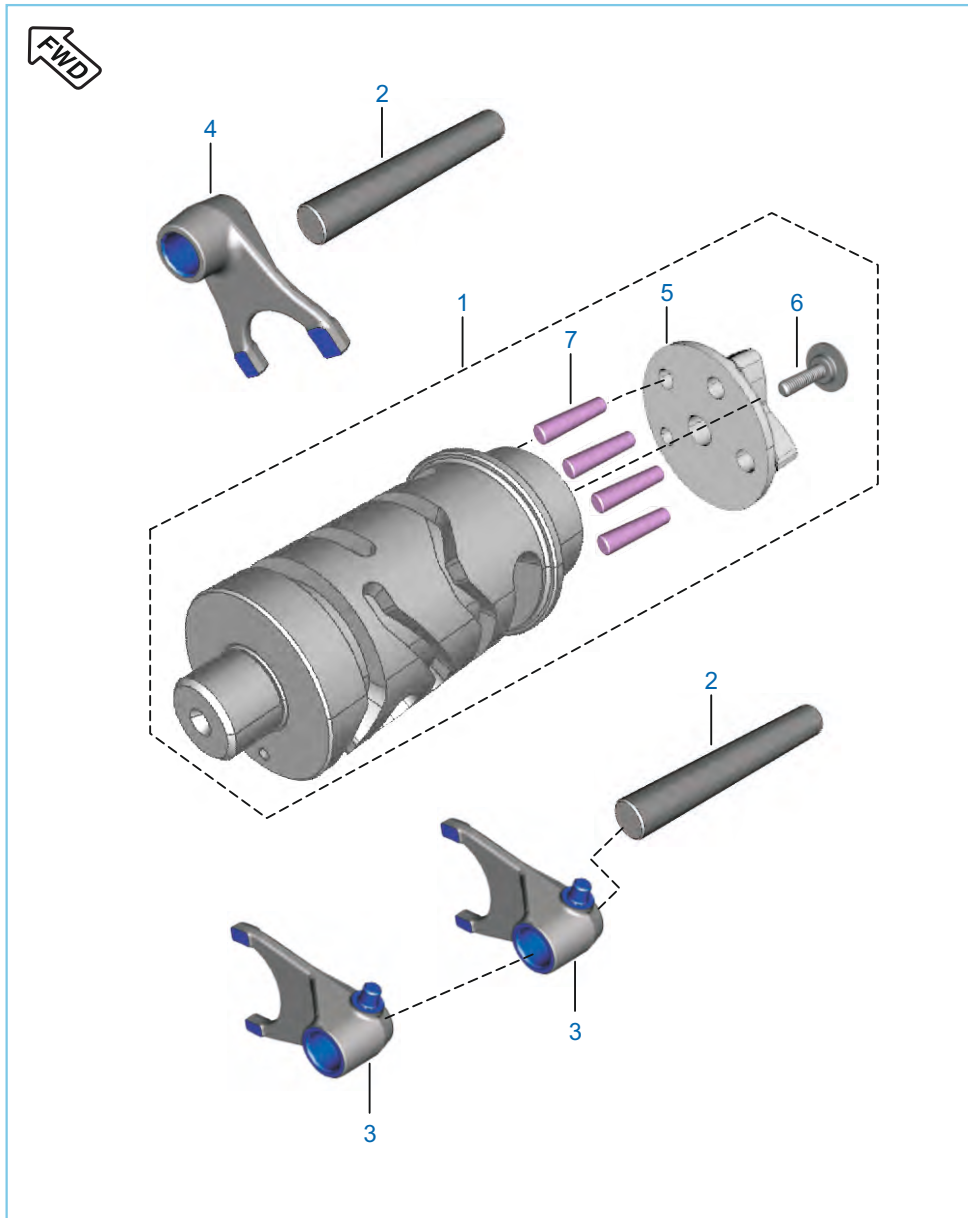
No.	Part No.	Description	Qty.	Remarks
1	JE 5310 08	Crankshaft Assembly	1	
2	59 1500 14	Nut Flange	2	
3	JE 5310 01	Ball Bearing-22x56x16	2	
4	LD A000 25	Washer Plain-id 14.5xod 26xthk 3	1	Ref.Cir.IB-358
5	JD 5310 04	Spacer Crank Shaft	1	
6	JA 5310 15	Pin(C/S Plunger)	1	
7	31 1011 73	Key Woodruff For Crankshaft Clutch Side	1	
8	DS 1011 54	Key	1	
9	JA 5310 12	Spring	1	
10	JB 5310 21	Plunger Oil Crankshaft	1	
11	36 JZ02 13	Kit Connecting Rod	1	

Transmission



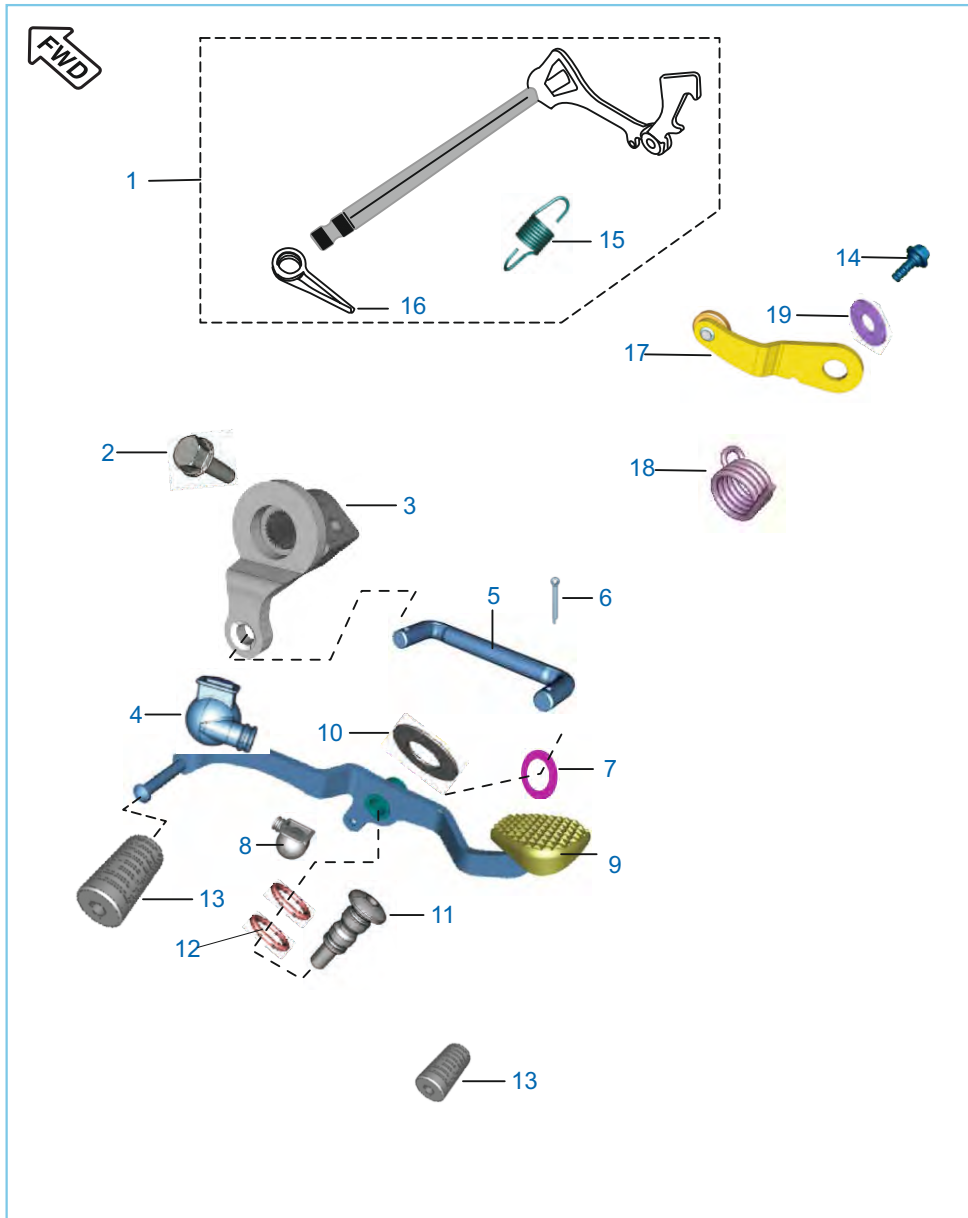
No.	Part No.	Description	Qty.	Remarks
1	JZ 5510 10	Shaft Input W/O Gun Hole	1	
2	JZ 5512 02	Gear 4th Drive	1	
3	JA 5510 02	Spline Washer (17.2X20.5X1.5)	4	
4	39 0987 17	Ring - Snap	5	
5	JE 5512 01	Gear 3rd Drive	1	
6	JZ 5512 13	Gear 5th Drive Forging Route	1	
7	JE 5512 00	Gear 2nd Drive	1	
8	JA 5510 04	Washer Thrust 2nd Drive	1	
9	JZ 5510 08	Shaft Output Forging Route	1	
10	JE 5512 05	Gear 2nd Driven	1	
11	JZ 5512 10	Bush 2nd Driven	1	
12	JZ 5512 11	Gear 5th Driven Forging Route	1	
13	JE 5512 06	Gear 3rd Driven	1	
14	JE 5512 16	Gear 4th Driven	1	
15	JZ 5512 05	Bush 1st Driven	1	
16	JE 5512 15	Gear 1st Driven	1	
17	JA 5510 08	Washer Thrust (12.2X25X1)	1	
18	JA 5510 09	Collar Sprocket Drive	1	
19	59 2100 24	'O' Ring	1	
20	JZ 5510 04	Sprocket Output 14T	1	
21	DU 1012 13	Plate Lock - Sprocket Output	1	
22	DS 1013 55	Bolt M5 Hex Socket Head	2	

Change Drum / Shift Fork



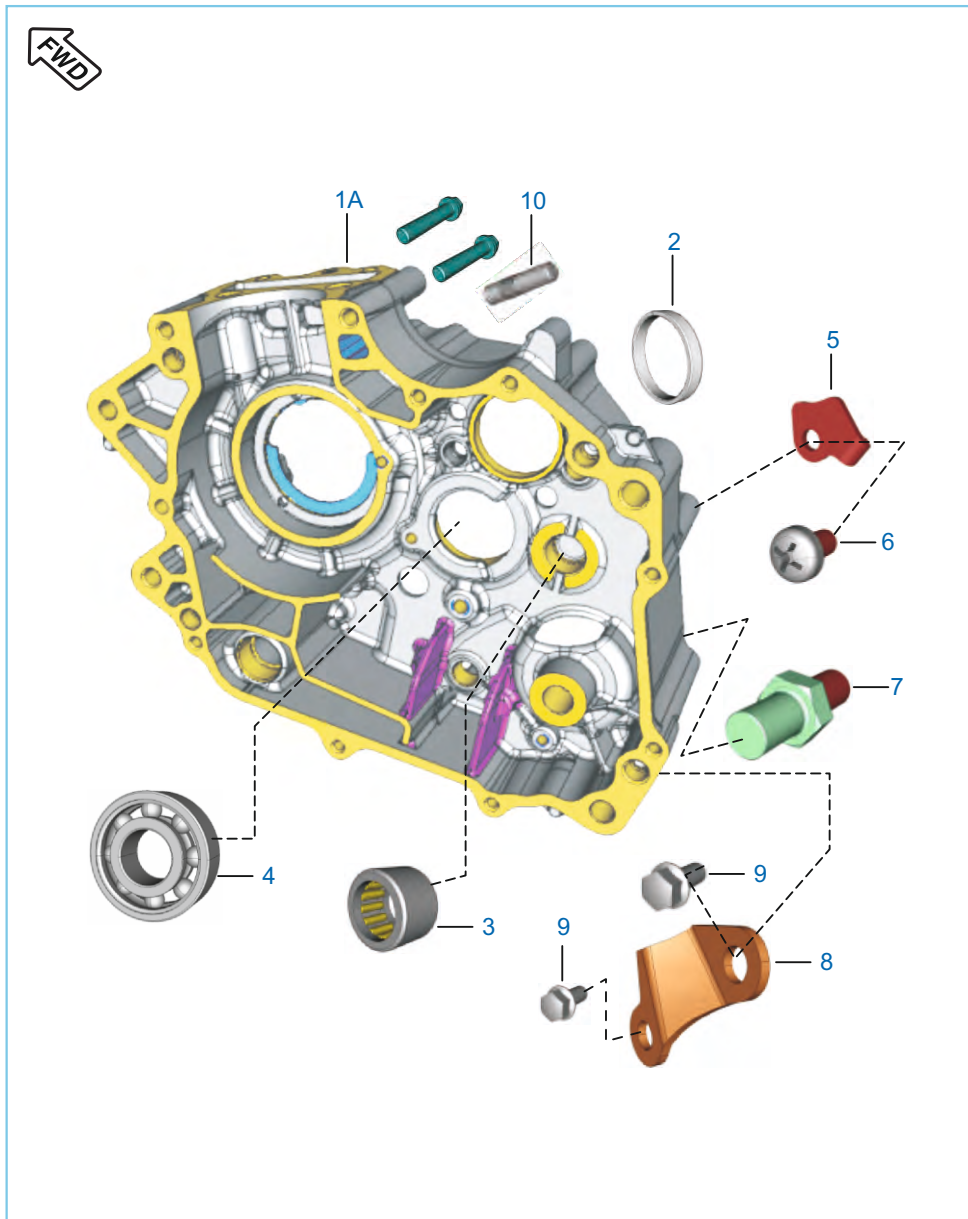
No.	Part No.	Description	Qty.	Remarks
1	JE 5610 06	Drum Comp Gear Shift	1	
2	JD 5610 06	Shaft Gear Fork Shift	2	
3	JD 5610 04	Fork Gear Shift Output	2	
4	JZ 5610 02	Fork Input Disco-H	1	
5	JE 5610 05	Cam Drum Change	1	
6	JD 5610 11	Special bolt	1	
7	39 0992 06	Dowel	4	

Gear Change Mechanism



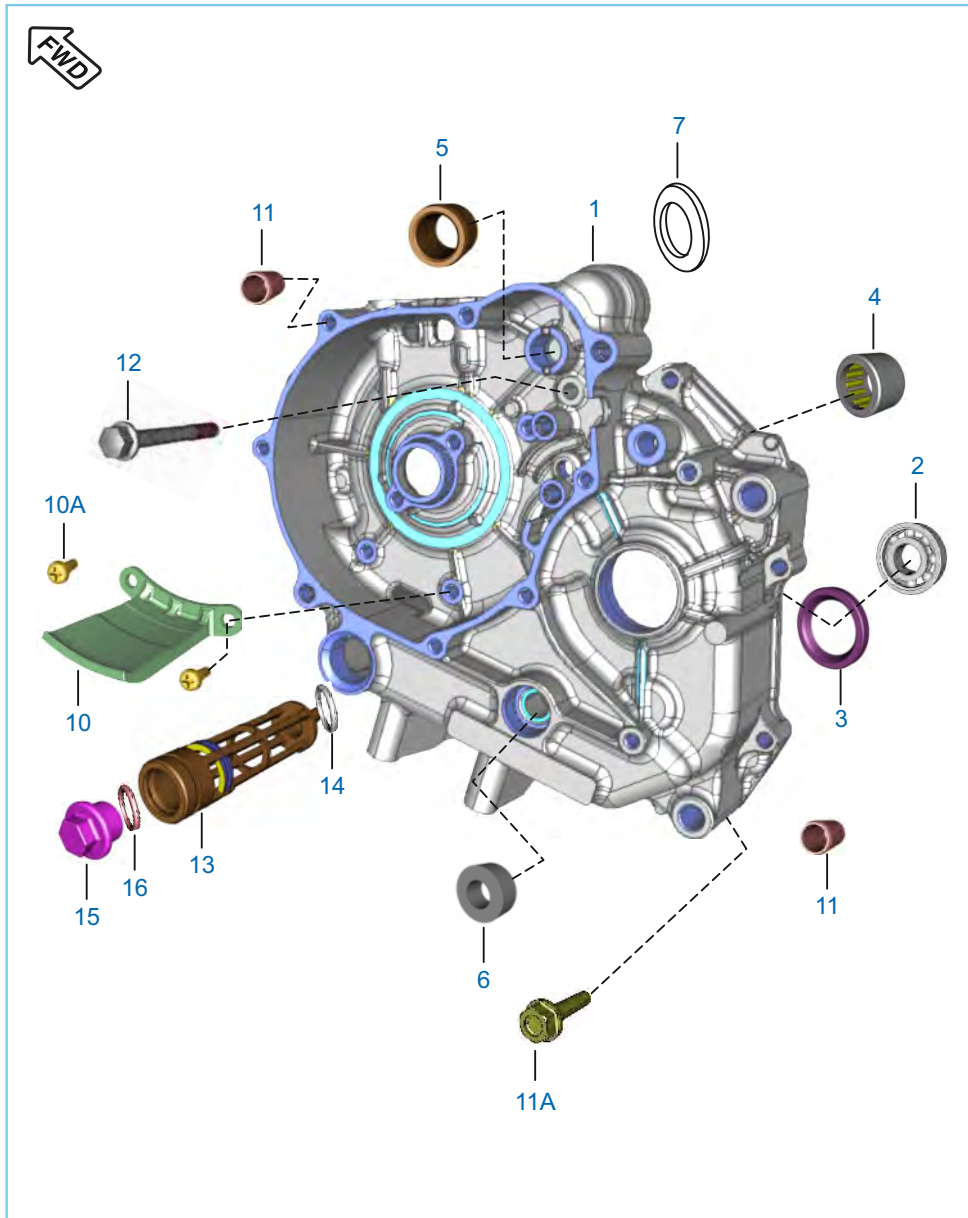
No.	Part No.	Description	Qty.	Remarks
1	52 JZ02 64	Lever Comp Gear Shift	1	
2	39 1902 04	Bolt - Flange :- M6	1	
3	JZ 5612 01	Lever Change Arm Complete	1	
4	JZ 5614 07	Boot Change Arm	1	
5	JZ 5614 04	Tie Rod	1	
6	KH AA20 15	Pin Snap	2	
7	JD 5614 16	Washer Nylon (DIA6.5XD15X2.0)	2	
8	JZ 5614 05	Boot Change Lever	1	
9	JZ 5614 02	Assembly Lever Comp Change	1	
10	JL 5614 10	Washer - Steel	1	
11	JL 5614 09	Bolt Gear Change Lever	1	
12	01 1009 05	'O' Ring	2	
13	DH 1015 09	Damper	1	
14	BF 5612 19	Bolt Detent Lever	1	
15	JW 5612 06	Extension Spring	1	
16	JW 5612 08	Spring Gear Shift Return	1	
17	PA 5612 09	Inhibitor Comp D105a Ug	1	
18	JD 5612 04	Spring (Inhibitor)	1	
19	LD B000 44	Washer Plain -ID 6XOD 18XTHK 1.5	1	

Engine Assembly / Crankcase RH



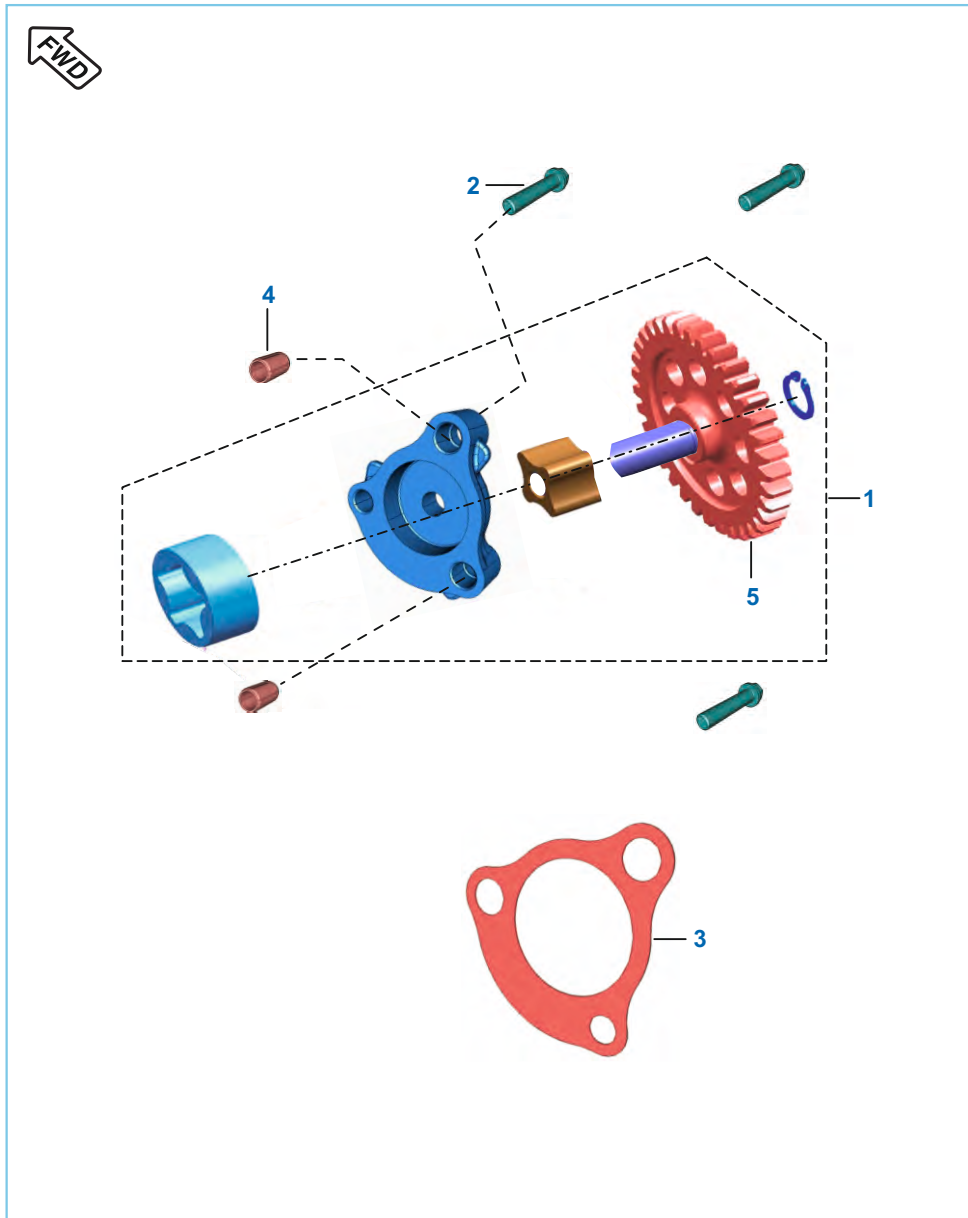
No.	Part No.	Description	Qty.	Remarks
1	JE 5010 06	Engine Assly	1	N.I.
1A	36 JZ00 78	Kit assly C'Case RH	1	
2	PF 5410 18	Bushing Drum	1	
3	JA 5410 11	Needle Roller Bearing HK1212	1	
4	59 2000 36	Bearing - Ball 6203 HN3 C3	1	
5	JA 5410 10	Stopper Plate Input Bearing	1	
6	DH 1013 80	Screw - Pan Pre-coated (M6X12)-39	1	
7	52 JA00 29	Bolt (JA541014) Precoated	1	
8	JA 5410 12	Guide Kick	1	
9	DH 1016 39	Pre-coated Bolt Flanged	2	
10	52 JA00 27	Stud (JA541015) Pre-coated	1	

Crankcase LH



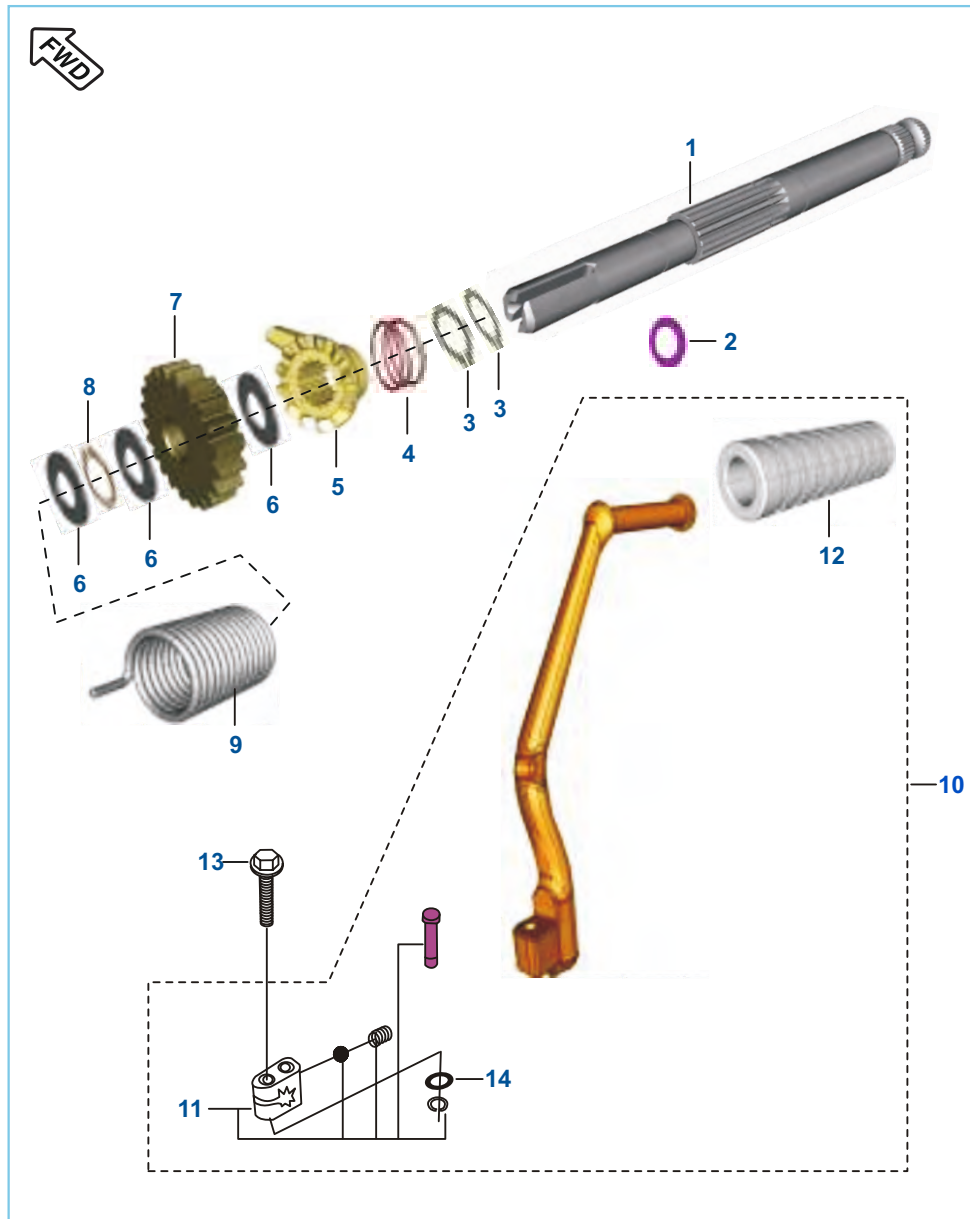
No.	Part No.	Description	Qty.	Remarks
1	JE 5410 39	Crankcase LH	1	
2	59 2000 36	Ball Bearing 6203 HN3 C3	1	
3	39 1715 19	Seal - Oil	1	
4	39 2562 20	Bearing - Needle Roller:13X19X12	1	
5	JA 5410 05	Bush Bendix	1	
6	39 2190 19	Seal - Oil	1	
7	JE 5410 38	Damper C'Shaft	1	
8	31 2010 81	Switch - Neutral	1	N.I.
9	DH 1017 84	Gasket Neutral Switch	1	N.I.
10	JA 5410 34	Stopper Gear Starter- Aluminium	1	
10A	39 0747 01	Screw Pan Cross - M6	2	
11	39 0999 06	Pin - Hollow Dowel	2	
11A	59 0400 38	Bolt	7	
12	39 1759 04	Bolt - Sh - M6 X 55	1	
13	JG 5710 24	Mesh Oil Filter Assy_G2	1	
14	LJ A000 04	Strainer O Ring	1	
15	JA 5410 21	Cap Strainer	1	
16	59 2100 23	'O' Ring	1	

Oil Pump



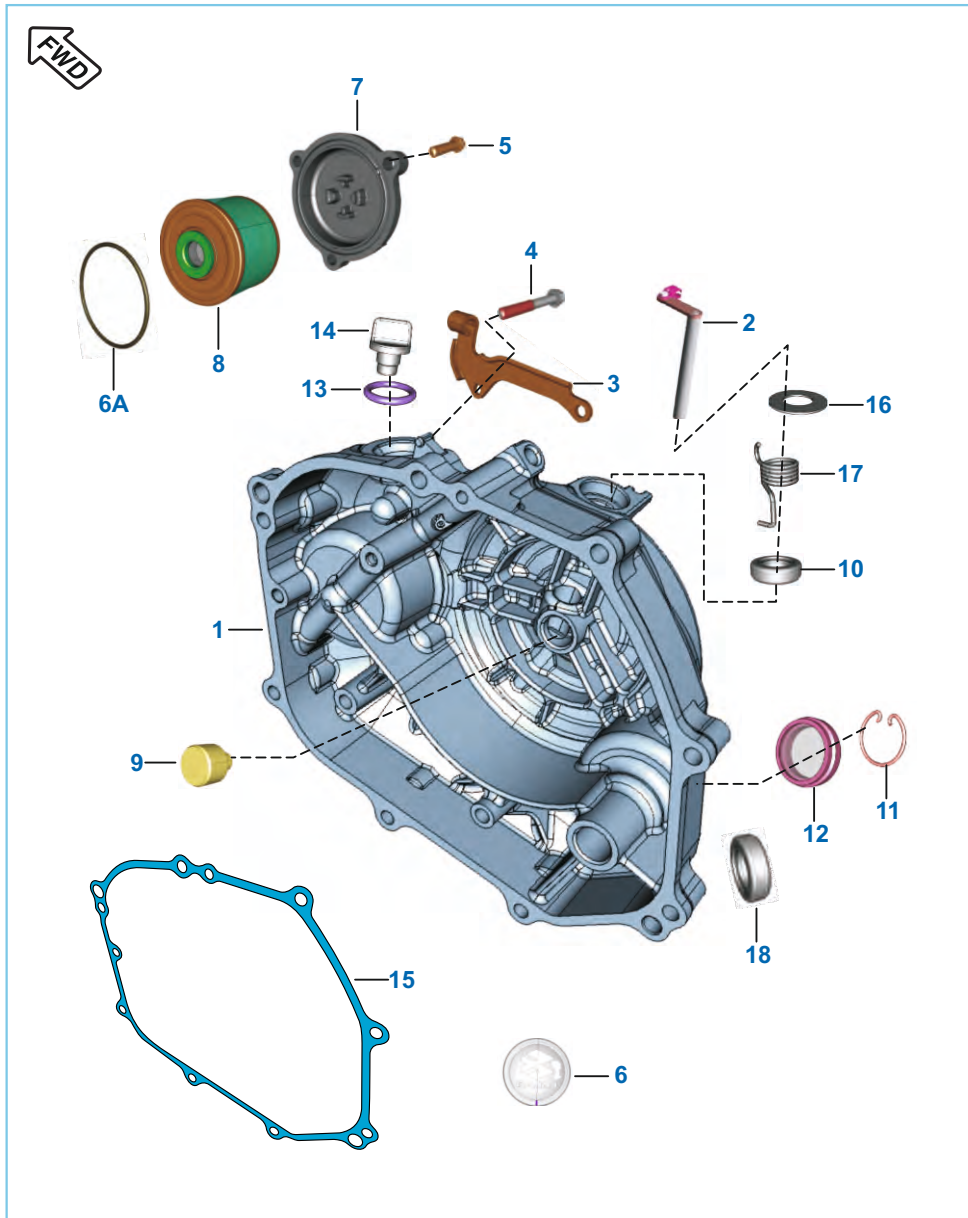
No.	Part No.	Description	Qty.	Remarks
1	JZ 5710 00	Assembly Oil Pump	1	
2	FD 1010 78	Screw Pan Cross :- Pre-Coated	3	
3	JA 5410 16	Gasket Case Oil Pump	1	
4	39 0999 06	Pin - Hollow Dowel	2	
5	JZ 5710 01	Gear Driven + Shaft Oil Pump	1	

Kick Starter Mechanism



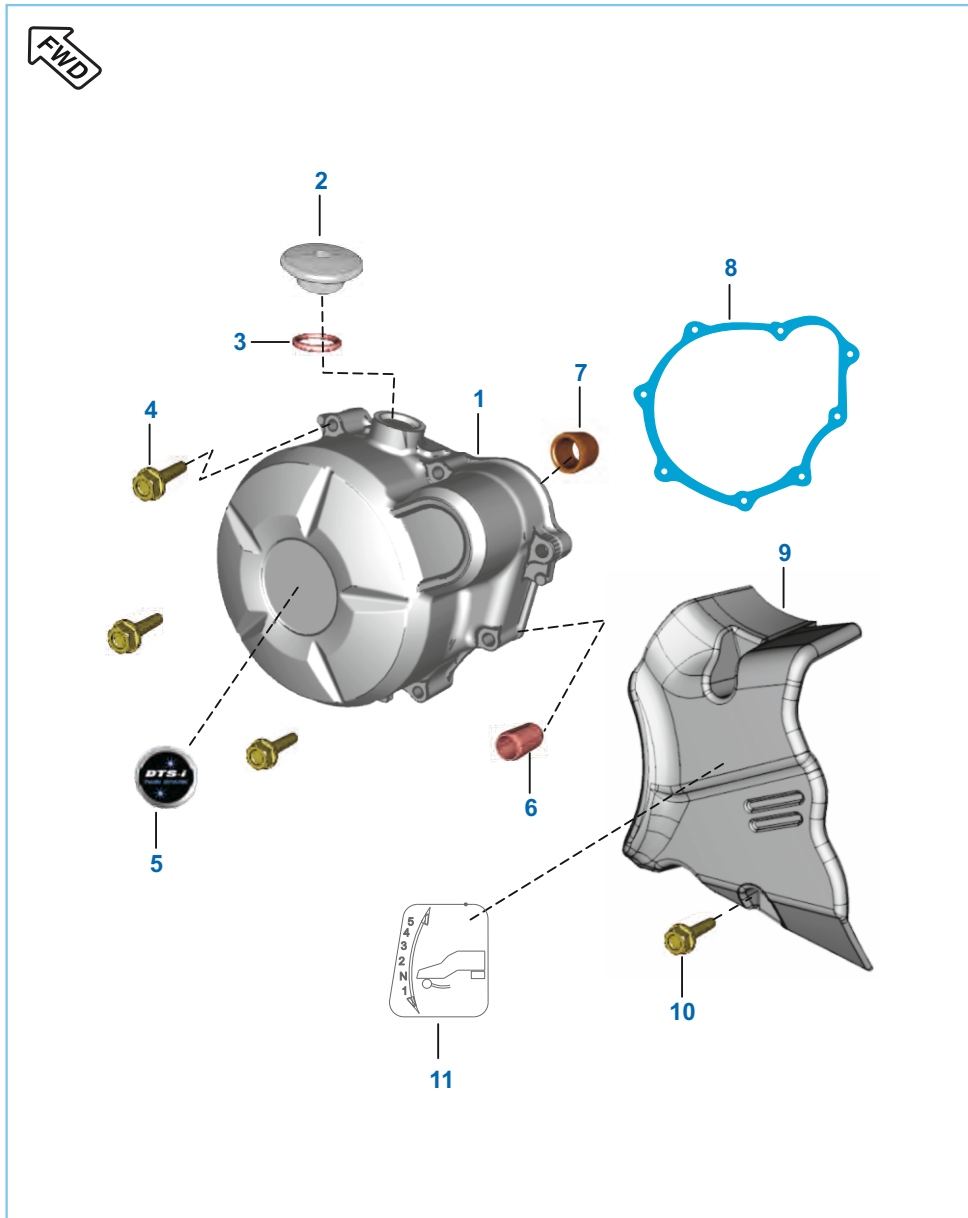
No.	Part No.	Description	Qty.	Remarks
1	JE 6210 01	Kick Shaft	1	
2	JA 6210 06	Washer thrustR (INTEGRAL)	1	
3	39 0738 17	Circlip - External :- Type C	2	
4	DS 1011 17	Spring Kick Starter Ratchet	1	
5	JA 6210 02	Ratchet	1	
6	39 0993 11	Washer - Plain	3	
7	JZ 6210 00	Assembly Kick Pinion Gear	1	
8	39 2408 17	Circlip	1	
9	JE 5410 08	Spring Kick Return	1	
10	JZ 6212 00	Assembly Kick Lever	1	
11	36 JZ00 98	Kit Boss Kick Set-d102c	1	
12	DD 1010 97	Damper	1	
13	JA 6212 06	Bolt Special (M8*30)	1	
14	22 1502 41	Plain Washer	1	

Cover Clutch



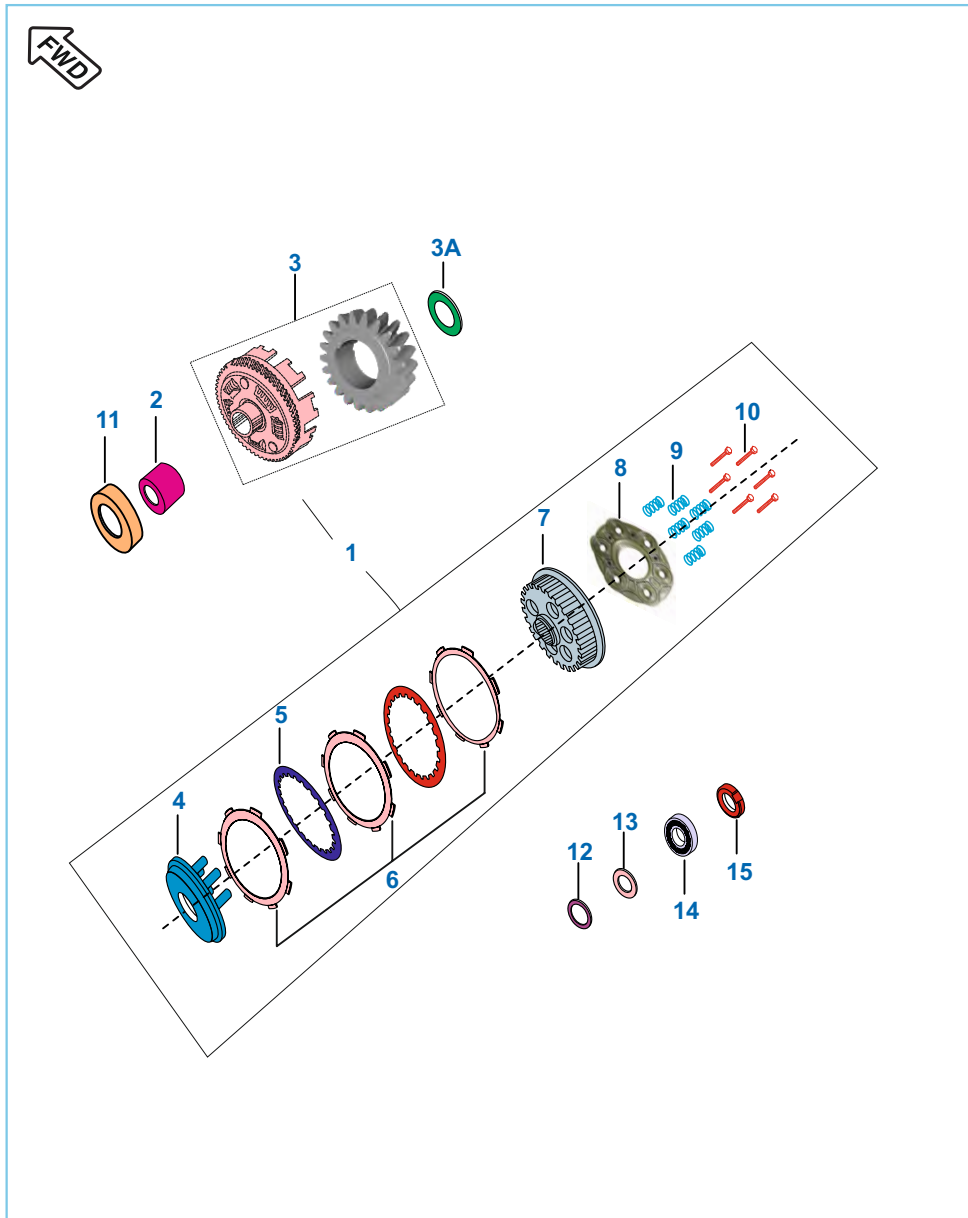
No.	Part No.	Description	Qty.	Remarks
1	36 JZ00 75	Kit Assly Clutch Cover	1	
2	JW 5410 05	Shaft Clutch Release Assly	1	
3	JW 5410 00	Bracket Clutch Cable	1	
4	59 0400 38	Bolt	8	
5	39 1673 04	Bolt - Flange :- M6	3	
6	JE 5412 31	Label Clutch Cover	1	
6A	39 1671 21	Ring - 'O'	1	
7	JZ 5412 14	Cap Filter	1	
8	DD 1211 81	Element Oil Filter	1	
9	PA 5514 05	Rod-Push	1	
10	39 1041 19	Seal - Oil	1	
11	DS 1012 15	Clip - Wire	1	
12	DG 1014 18	Gauge	1	
13	JA 5412 25	O Ring Cap Oil Filler	1	
14	JA 5412 11	Cap Oil Filler	1	
15	JA 5412 12	Gasket Clutch Cover	1	
16	JA 5412 36	Plain Washer (12.5X24X0.8)	1	
17	JA 5412 37	Spring Torsion Cl. Cover	1	
18	30 1011 42	Seal - Oil (Kick Shaft)	1	

Cover Magneto



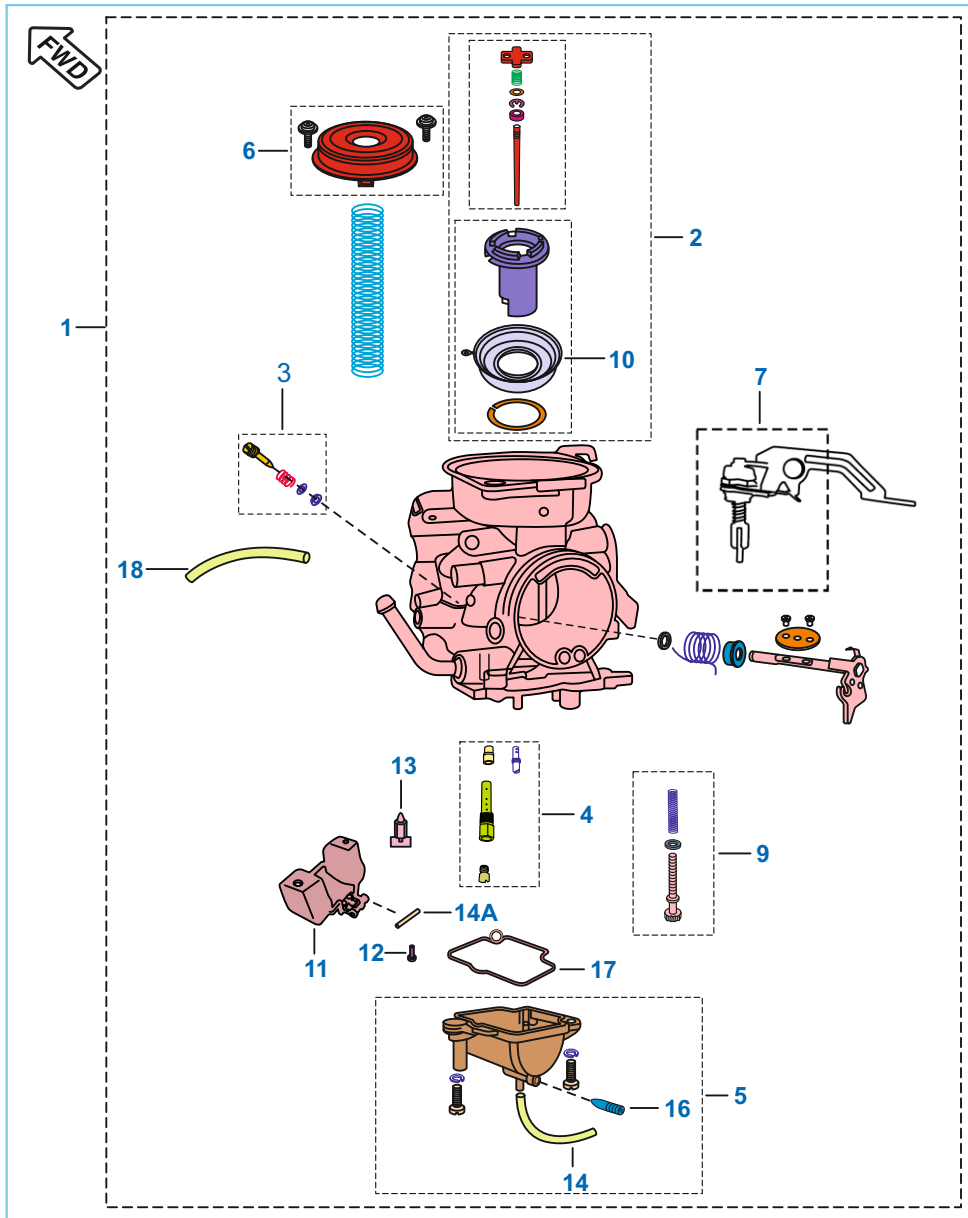
No.	Part No.	Description	Qty.	Remarks
1	JZ 5412 09	Assembly Magneto Cover SS	1	
2	JA 5412 33	Cap TDC finder	1	
3	30 1011 95	'O' ring	1	
4	JA 5410 44	Flange Bolt M6x1x40l	8	
5	JE 5412 30	Label Magneto Cover	1	
6	39 0999 06	Pin - Hollow Dowel	2	
7	JA 5410 05	Bush Bendix	1	
8	JA 5412 05	Gasket Magneto Cover	1	
9	JZ 5412 26	Assly Cover RR	1	
10	59 0400 38	Bolt	2	
11	DJ 1612 28	Label Gear Shift - Black	1	

Clutch Assly



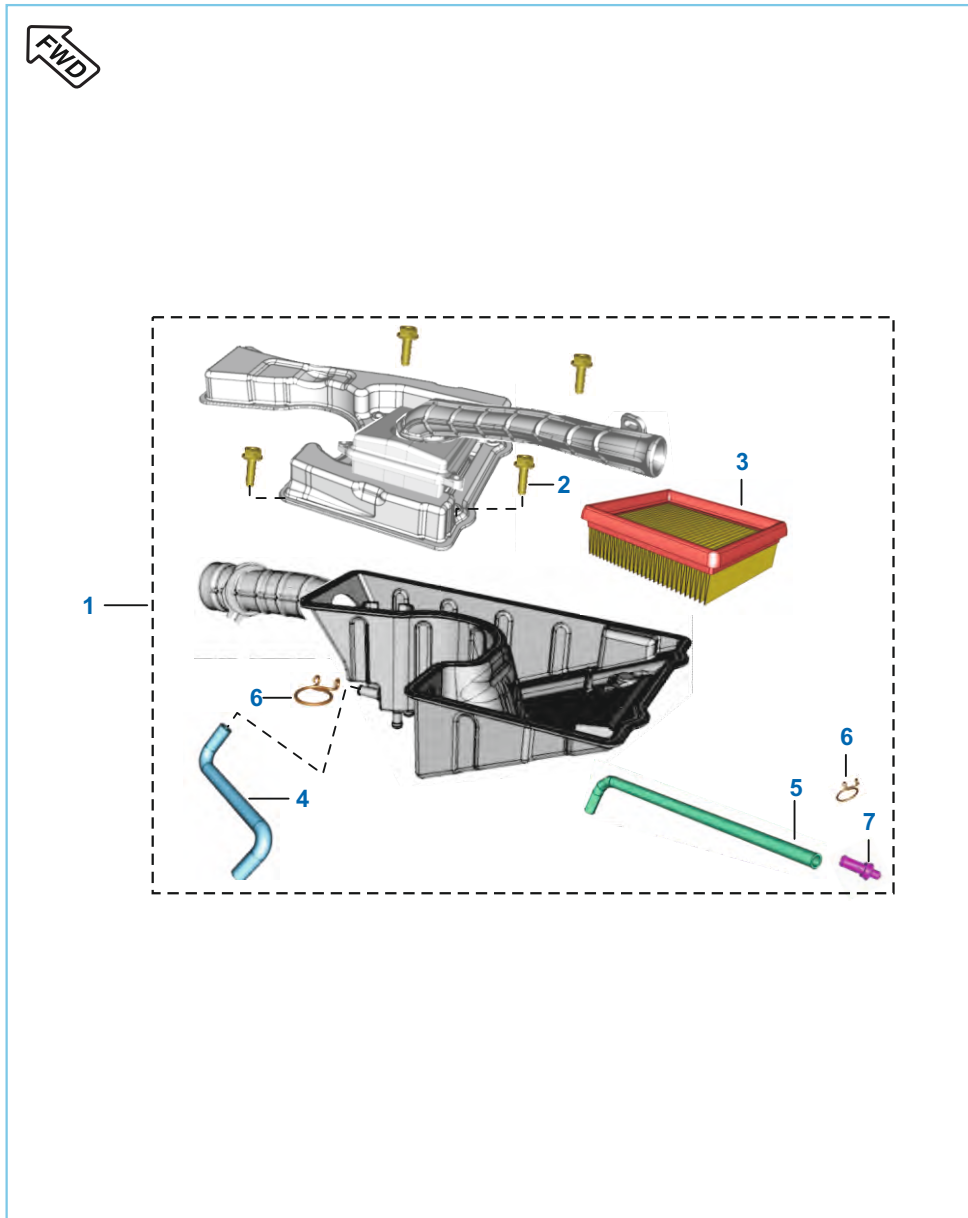
No.	Part No.	Description	Qty.	Remarks
1	JZ 5514 13	Assembly Clutch	1	
2	JA 5514 06	Collar Clutch	1	
3	36 JZ00 23	Kit Primary Drive & Driven	1	
3A	39 2600 11	Washer - Plain	1	
4	JB 5514 08	Wheel Clutch	1	
5	30 1010 96	Plate Clutch	4	
6	36 JE00 24	Kit Friction	1	
7	JB 5514 11	Hub Clutch Modified	1	
8	JB 5514 06	Holder	1	
9	JZ 5514 15	Spring Clutch	6	
10	39 0980 04	Bolt - Hexagon Head	6	
11	JD 5514 00	Spacer Clutch Assembly (17.1*31*4)	1	
12	JA 5514 20	Washer Plain	1	
13	JE 5514 09	Washer Belleville	1	
14	39 1001 20	Bearing - Ball	1	
15	52 JA00 28	Nut (JA531007) Precoated	1	

Carburetor Assembly (125ST)



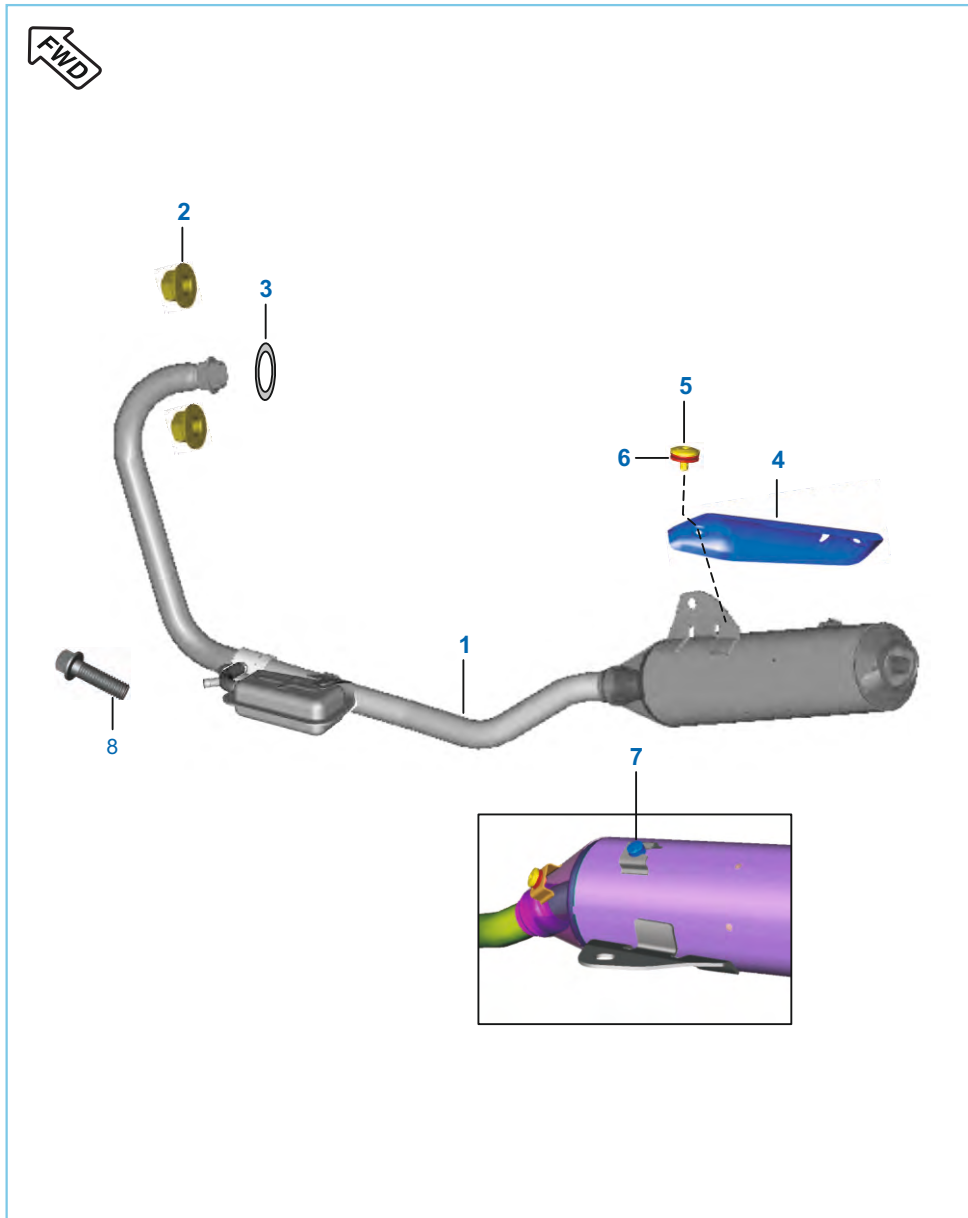
No.	Part No.	Description	Qty.	Remarks
1	JE 5812 31	Assembly Carburetor	1	
2	36 JE00 16	Kit Piston Valve Assly	1	
3	36 JE00 17	Kit Pilot Screw	1	
4	36 JE00 18	Kit Jet	1	
5	36 JE00 19	Kit Float Chamber Body	1	
6	36 JE00 20	Kit Top Cap	1	
7	36 JE00 21	Kit Plunger Assly	1	
8	36 JE00 22	Kit O Ring & Gasket	1	
9	DK 1210 41	Idling Screw Kit	1	
10	JE 5812 13	Diaphragm Piston	1	
11	DH 1210 59	Float Assly	1	
12	DH 1210 64	Screw	1	
13	DH 1210 93	Needle Assly	1	
14	JE 5812 23	Pipe Overflow	1	
14A	DH 1210 63	Pin	1	
15	DH 1210 41	Clip	1	N.I.
16	JE 5812 18	Drain Screw	1	
17	DP 1210 59	O Ring	1	
18	DP 1210 18	Clamp (ID = 15 MM)	1	Towards Air Filter

Air Cleaner Complete



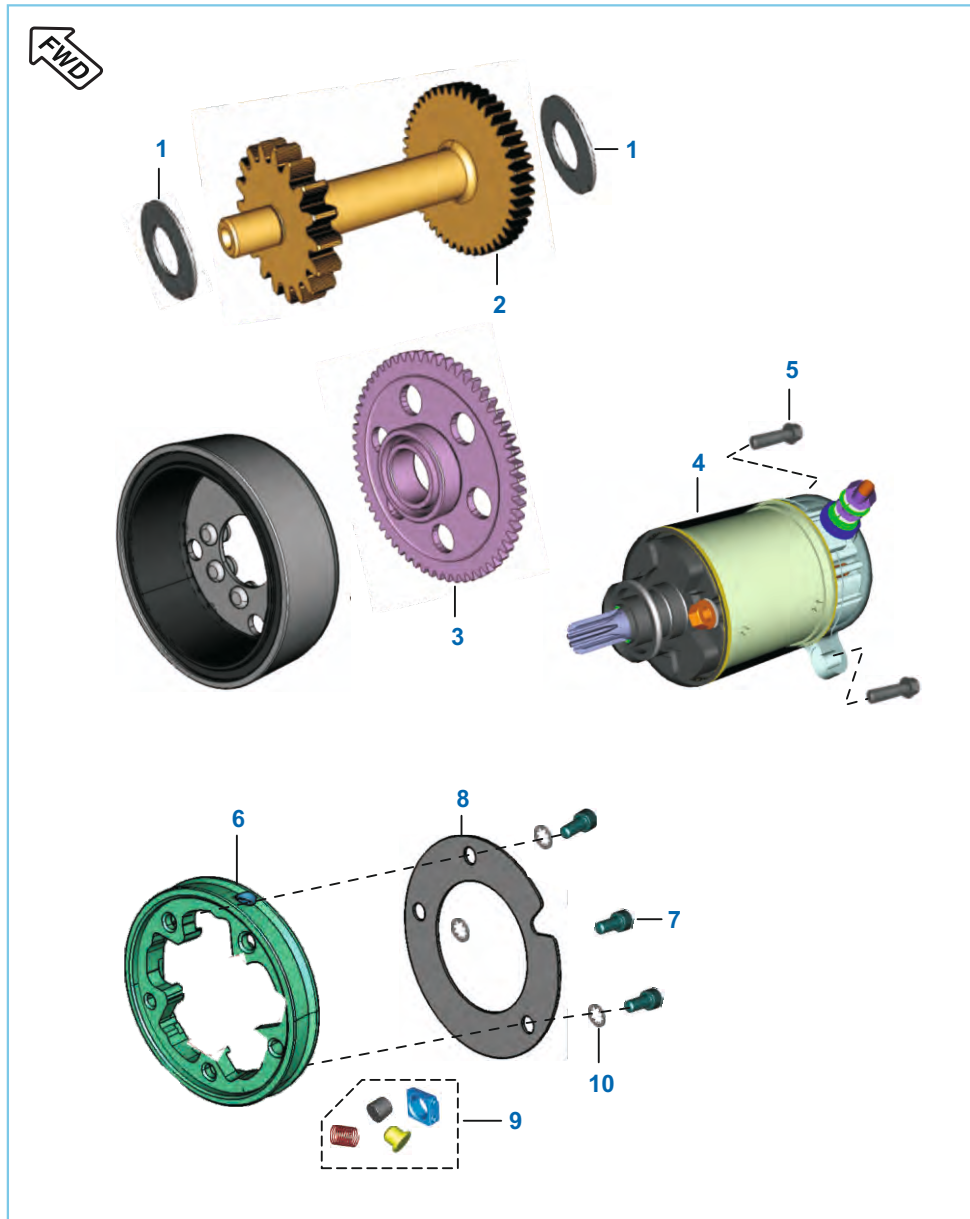
No.	Part No.	Description	Qty.	Remarks
1	JZ 5810 20	Assembly Air Filter	1	
2	KA DA06 18	Bolt Flange	4	
3	JZ 5810 32	Element Air Filter	1	
4	JZ 5810 26	Hose Breather A/F	1	
5	JZ 5810 25	Drain Tube	1	
6	DP 1210 25	Clamp (ID 12.5 MM)	2	
7	DS 1211 26	Pug	1	
8	39 1943 04	Bolt Flange - Small	1	
9	DP 1210 18	Clamp (ID = 15 MM)	1	

Silencer Assembly



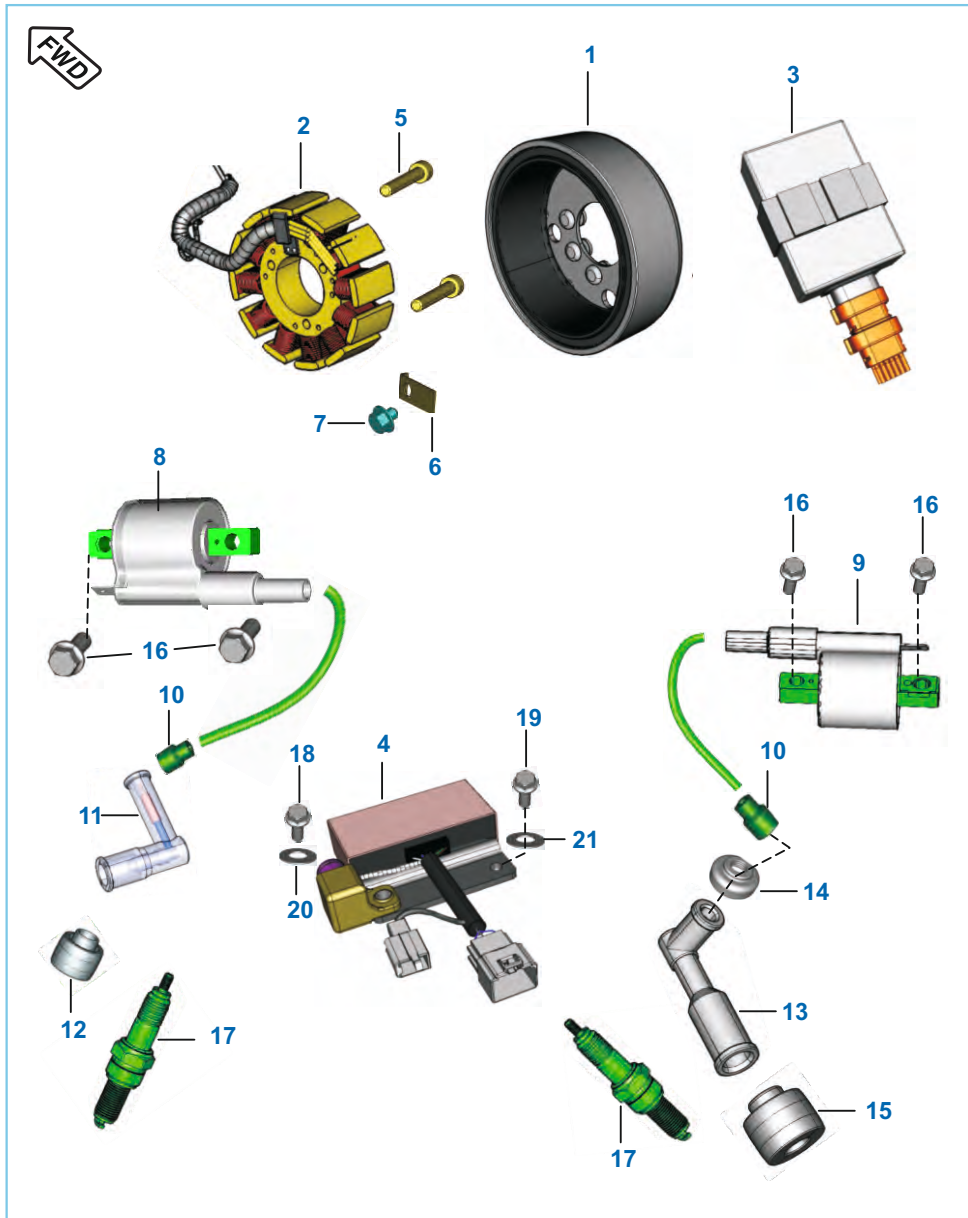
No.	Part No.	Description	Qty.	Remarks
1	JZ 5910 71	Silencer Assly	1	
2	39 2295 15	Nut - Flange :- M8	2	
3	JE 5910 02	Gasket Exhaust	1	
4	JZ 5910 95	Shield Muffler	1	
5	DH 1013 02	Truss Screw	2	
6	DH 1013 01	Seal Shield Muffler	2	
7	JW 5910 30	Grommet Shield	1	
8	KA DA05 10	Bolt-flange	1	
9	39 1850 04	Hex Bolt with flanged M10-50L	1	N.I
10	JB 1130 05	Plain wahser	2	N.I
11	DD 1610 71	U-Nut M10 X 1.25 X HEIGHT 6.5	1	N.I

Starter Assembly



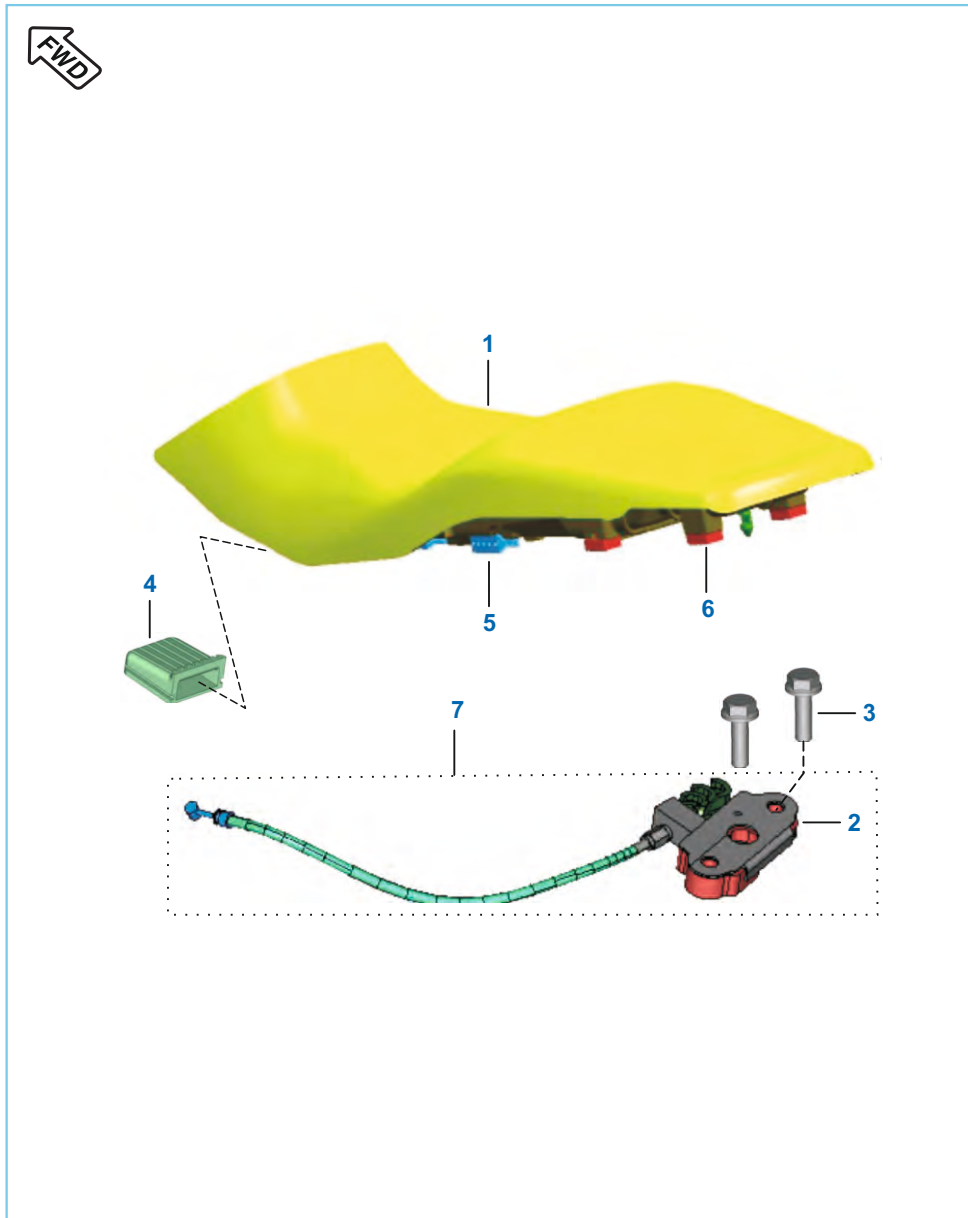
No.	Part No.	Description	Qty.	Remarks
1	JA 6214 02	Washer (Thk 0.4)	2	
2	JA 6214 06	Drive Assly.	1	
3	JA 6214 10	Gear Starter Clutch	1	
4	JA 3516 00	Starter Motor Assly.	1	
5	LA D000 11	Bolt Flange	2	
6	JA 6214 14	Body Starter Assembly	1	
7	39 0972 04	Bolt - Socket :- M6	3	
8	DH 1017 81	Plate Roller Clutch	1	
9	36 JZ00 08	Kit Starter Clutch Repair	1	
10	39 0849 14	Washer - Lock :- Toothed	3	

Magneto, CDI & H.T. Coil



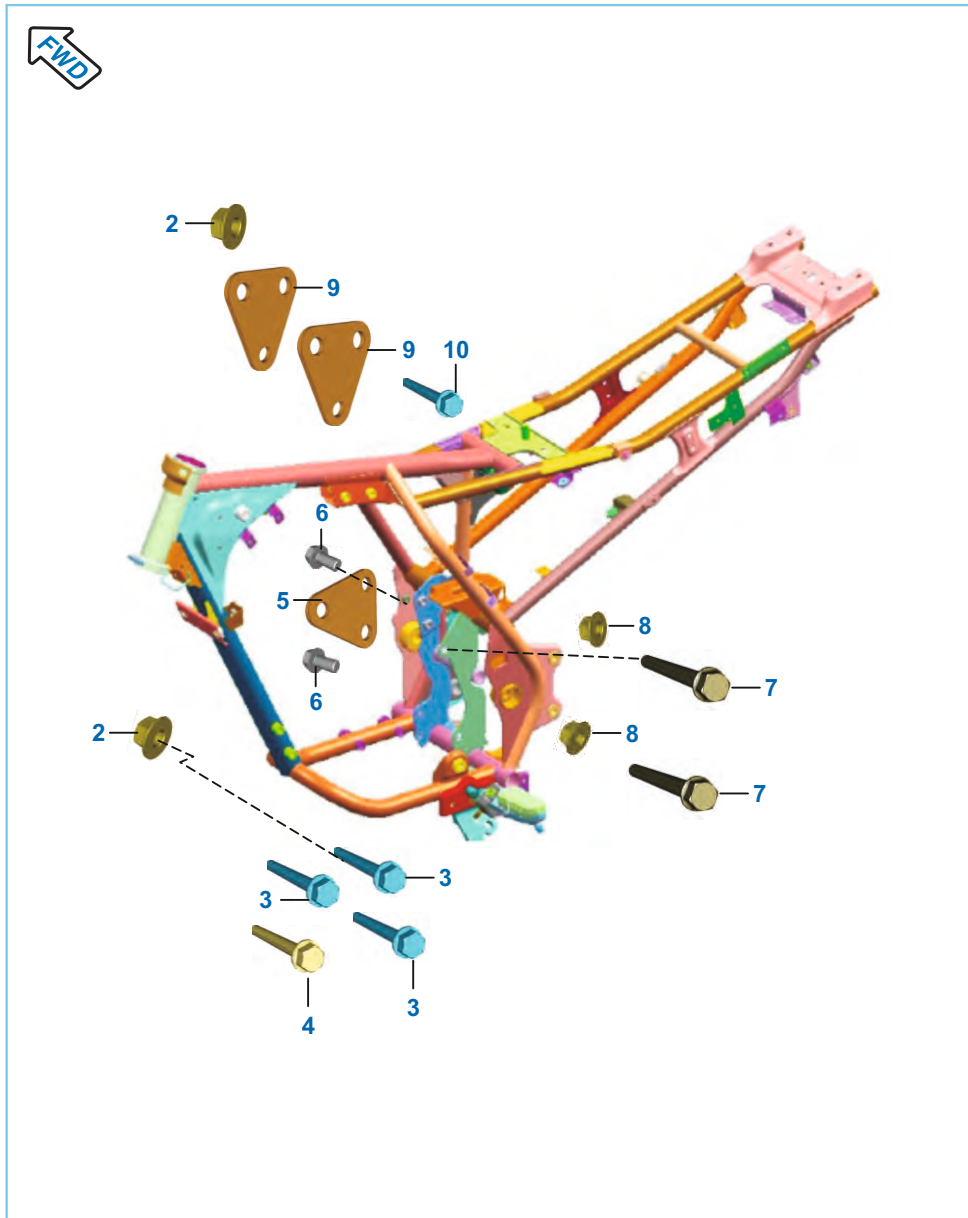
No.	Part No.	Description	Qty.	Remarks
1	JE 3510 04	Rotor assly	1	
2	JE 3510 05	Stator assly	1	
3	JE 3512 06	CDI D102C	1	
4	JZ 4020 00	DC Regulator With Capacitor	1	
5	LA C000 52	Bolt Socket	2	
6	JA 5410 28	Lock Plate	1	
7	DH 1013 80	Screw - Pan Pre-coated (M6X12)-39	3	
8	JZ 3512 11	Coil HT LH	1	
9	JZ 3512 13	Coil HT RH	1	
10	DD 1110 12	Grommet for HT Cable	2	
11	DD 1110 48	Cap Spark Plug	1	
12	DD 1110 11	Grommet Spark Plug Cap	1	
13	DH 1110 15	Cap Spark Plug	1	
14	JD 3512 06	Grommet Sleeve Spark Plug Cap	1	
15	DH 1110 13	Grommet Spark Plug	1	
16	59 0400 14	Bolt Flanged M6X1	4	
17	CF 1110 19	Plug - Spark BOSCH : UR4AC	2	Or
18	DD 1110 18	Plug - Spark Champion PRZ9HC	2	
19	KA ED06 20	Bolt Flange - Small (HT COIL BOL	1	
20	KA ED06 14	Bolt Flange	1	
21	39 1309 11	Washer Plain	2	

Seat Assembly / Seat Lock



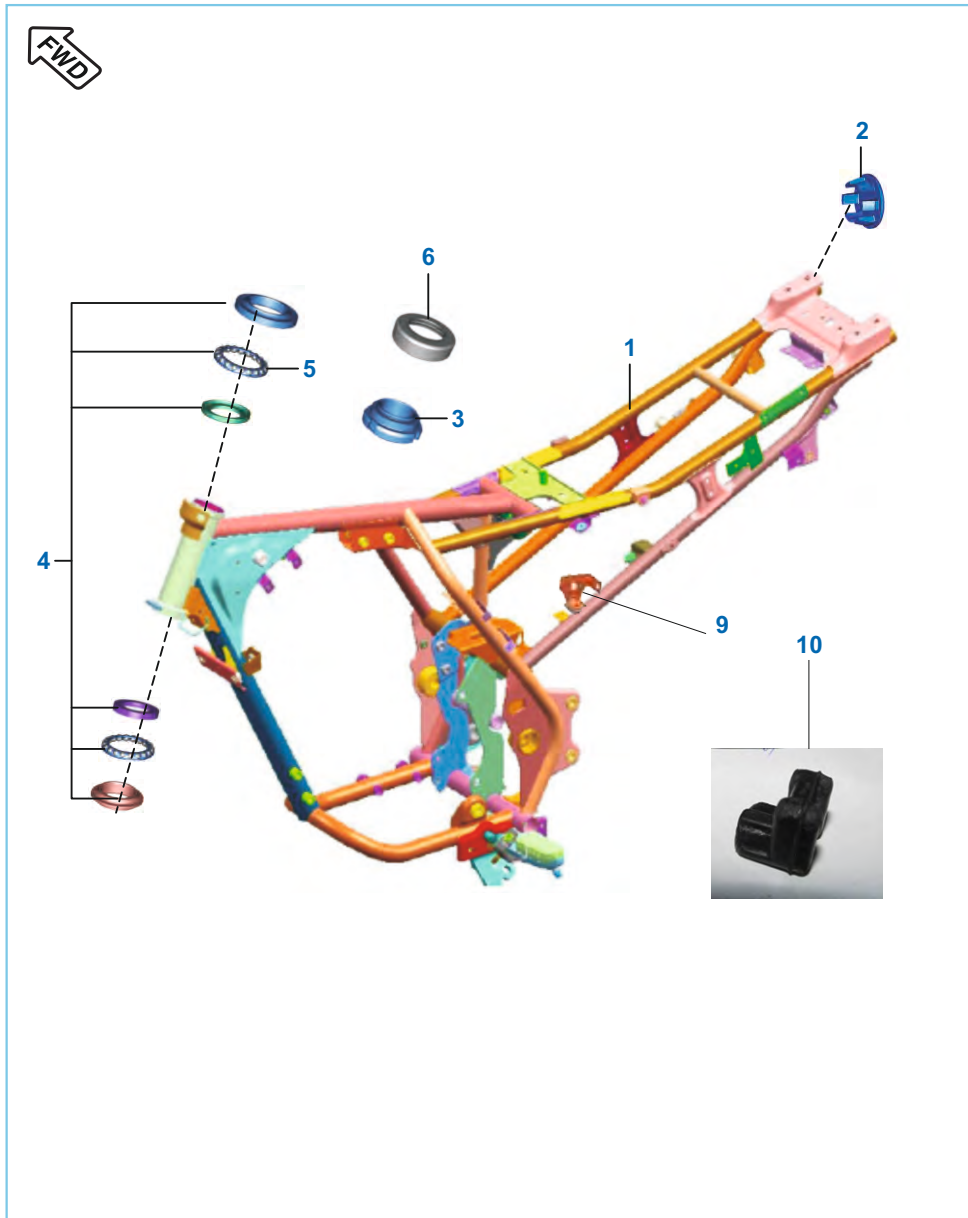
No.	Part No.	Description	Qty.	Remarks
1	JZ 1910 00	Seat Assly. Comp	1	
2	DH 1612 33	Reinforcement Seat Lock	1	
3	39 1902 04	Bolt - Flanged : M6	2	
4	DS 2110 07	Damper Seat Front	1	
5	JZ 1910 10	Damper For Seat	6	
6	JZ 1910 11	Damper Seat Rear	4	
7	JZ 1612 17	Cable Seat Lock	1	

Engine Mountings



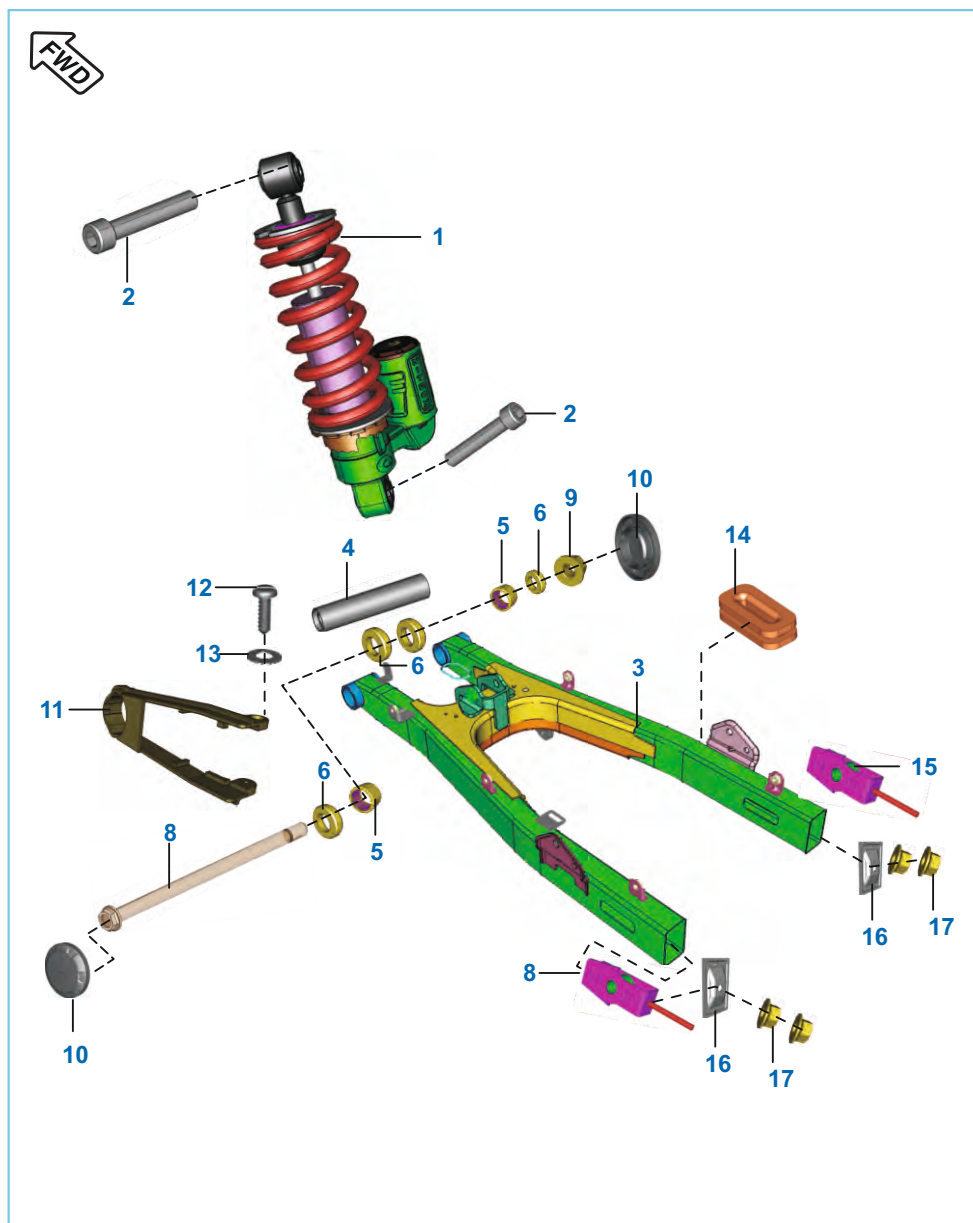
No.	Part No.	Description	Qty.	Remarks
1	JZ 1134 35	Assembly Engine Mtg Front LH	1	N.I.
1a	JZ 1134 36	Assembly Engine Mtg Front RH	1	N.I.
2	39 1970 15	Nut - Hexagon With Flange : M8	4	
3	LA D001 22	Bolt Flange M8 L75	2	
4	LA D001 21	Bolt Flanged	1	
5	JZ 1134 10	Bracket Eng Mtg Rear Top	1	
6	39 1940 04	Bolt - Flanged : M8	2	
7	JA 1134 03	Flanged Bolt M10X110	2	
8	39 2723 15	Nut Flanged M10 Olive	2	
9	JZ 1134 11	Bracket Eng Mtg Top	2	
10	LA D000 48	Bolt Flanged M8 X 1.25P X 65 L	3	

Frame and Frame Fittings



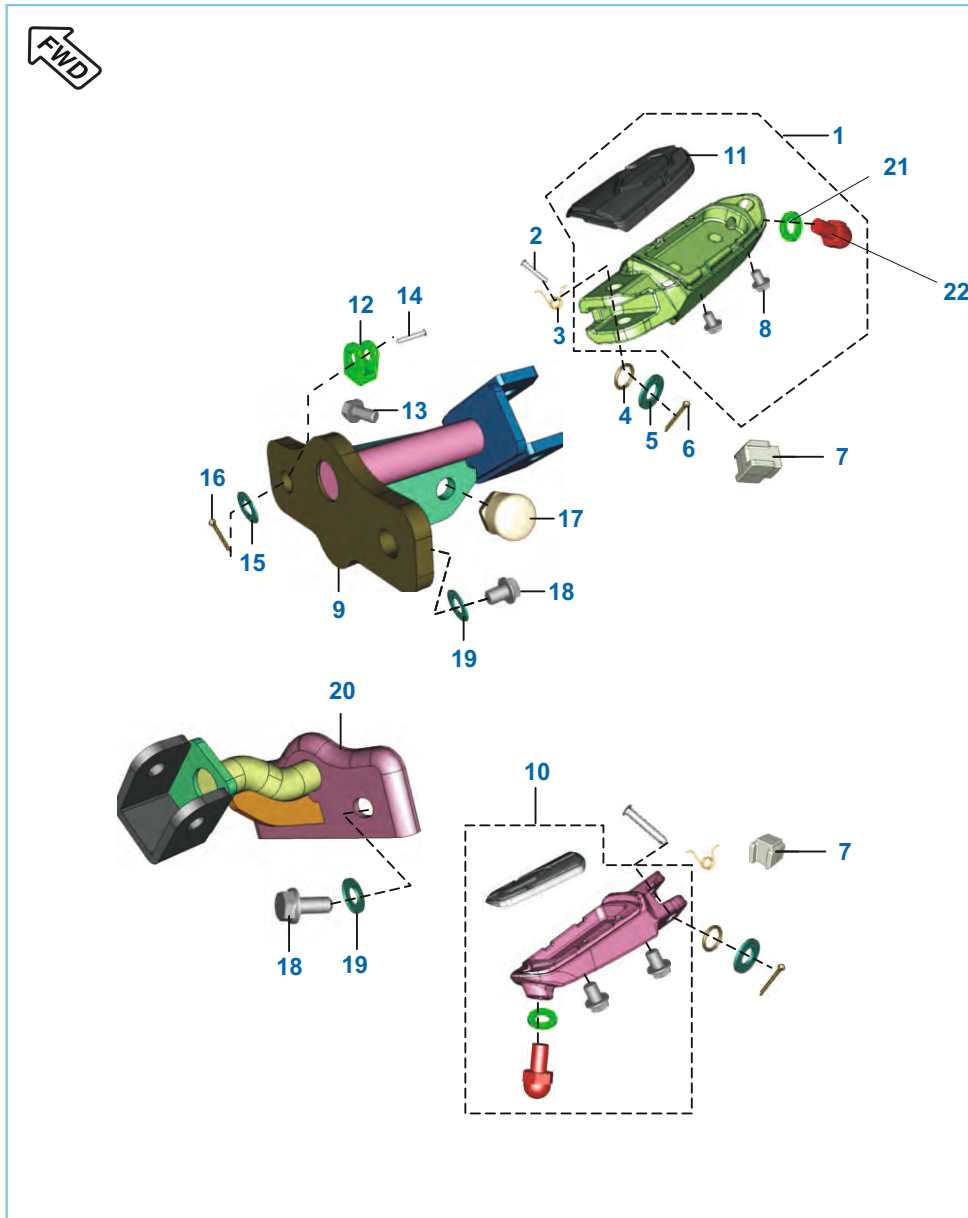
No.	Part No.	Description	Qty.	Remarks
1	JZ 1112 98	Frame Assembly	1	
2	JZ 1138 05	Cap For Pipe	2	
3	JZ 1510 84	Nut Steering	1	
4	36 JZ00 83	Kit Steering Cone	1	
5	DJ 1811 15	Cage Bearing - Steering	2	
6	JZ 1510 83	Cap Steering	1	
7	DK 2010 49	Clamp + Harness Wiring	1	N.I.
8	KA Ed06 12	Bolt Flanged Small	1	N.I.
9	JZ 1138 08	Bracket Starter Relay MTG	1	
10	JZ 1813 22	Grommet Side Cover	1	

Swing Arm / Rear Shock Absorber

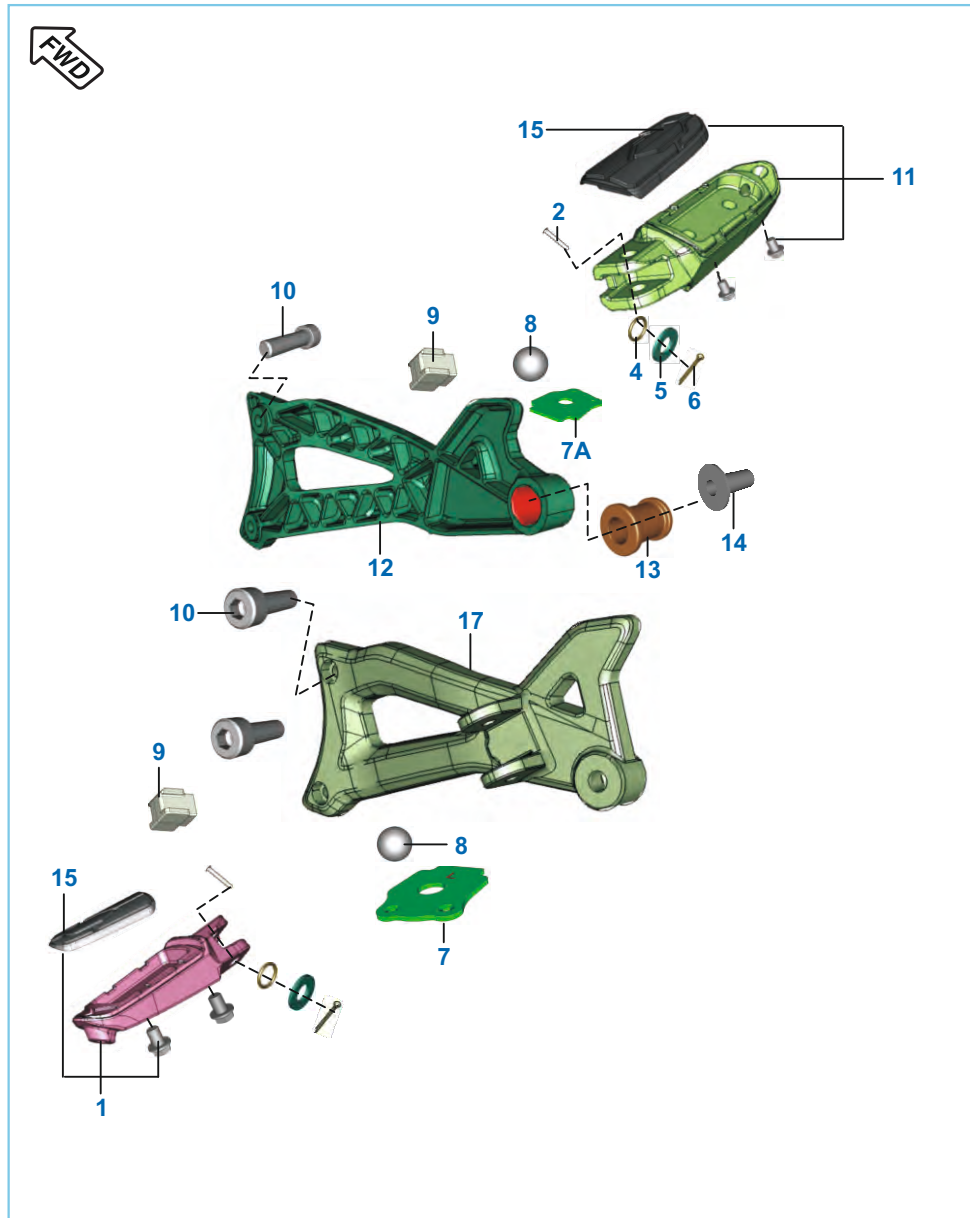


No.	Part No.	Description	Qty.	Remarks
1	JZ 1220 03	Shock absorber Mono	1	
2	LA C000 19	Bolt Socket M10 X 1.25 X 55	2	
3	JZ 1220 93	Swing Arm Assy	1	
4	JZ 1220 10	Spacer Swing Arm	1	
5	DG 1710 18	Bearing - Needle	2	
6	DG 1710 19	Seal - Oil	4	
7	DK 1710 06	Sleeve For Swing Arm	2	
8	JZ 1220 58	Shaft Swing Arm	1	
9	39 1053 15	Nut	1	
10	JZ 1138 06	Cap For Swing Arm Pivot	2	
11	JZ 1220 05	Chain Slider	1	
12	39 0553 02	Screw - Self Tapping	2	
13	39 0454 11	Washer - Plain	2	
14	JL 1812 25	Grommet li	1	
15	JZ 1220 08	Adjuster Chain - RH	2	
16	JZ 1220 12	Plate Chain Adjuster	2	
17	39 0292 15	Nut - Hexagon : M6 X 1	4	
18	39 0807 08	PIN snap	2	N.I
19	DJ 1612 27	Instruction Label	2	N.I

Rider Foot Rest



No.	Part No.	Description	Qty.	Remarks
1	JZ 1130 28	Assly Main Step RH	1	
2	JZ 1130 36	Pin Main Step	2	
3	JZ 1130 39	Spring Torsion	2	
4	30 1410 31	'O' ring	2	
5	39 1040 11	Washer Plain	2	
6	39 0784 08	Pin Spit	2	
7	JL 1130 28	Rubber Pad Footrest	2	
8	39 1791 04	Bolt Flanged M6X8	4	
9	JZ 1130 21	Stay RH Main Step	1	
10	JZ 1130 27	Assly Main Step LH	1	
11	JZ 1130 35	Footrest Rubber	2	
12	JZ 1610 24	Damper Brake Lever	1	
13	39 2671 04	Hexgoan Bolt	1	
14	30 1910 38	Pin	1	
15	39 0198 11	Washer	1	
16	39 0808 08	Split Pin	1	
17	DH 1611 94	Kick Stopper	1	
18	39 2310 04	Bolt Flange	4	
19	39 2659 12	Spring Washer	4	
20	JZ 1130 20	Stay LH Main Step	1	
21	LD B000 19	Washer Plain	2	
22	JG 1130 52	Bolt	2	

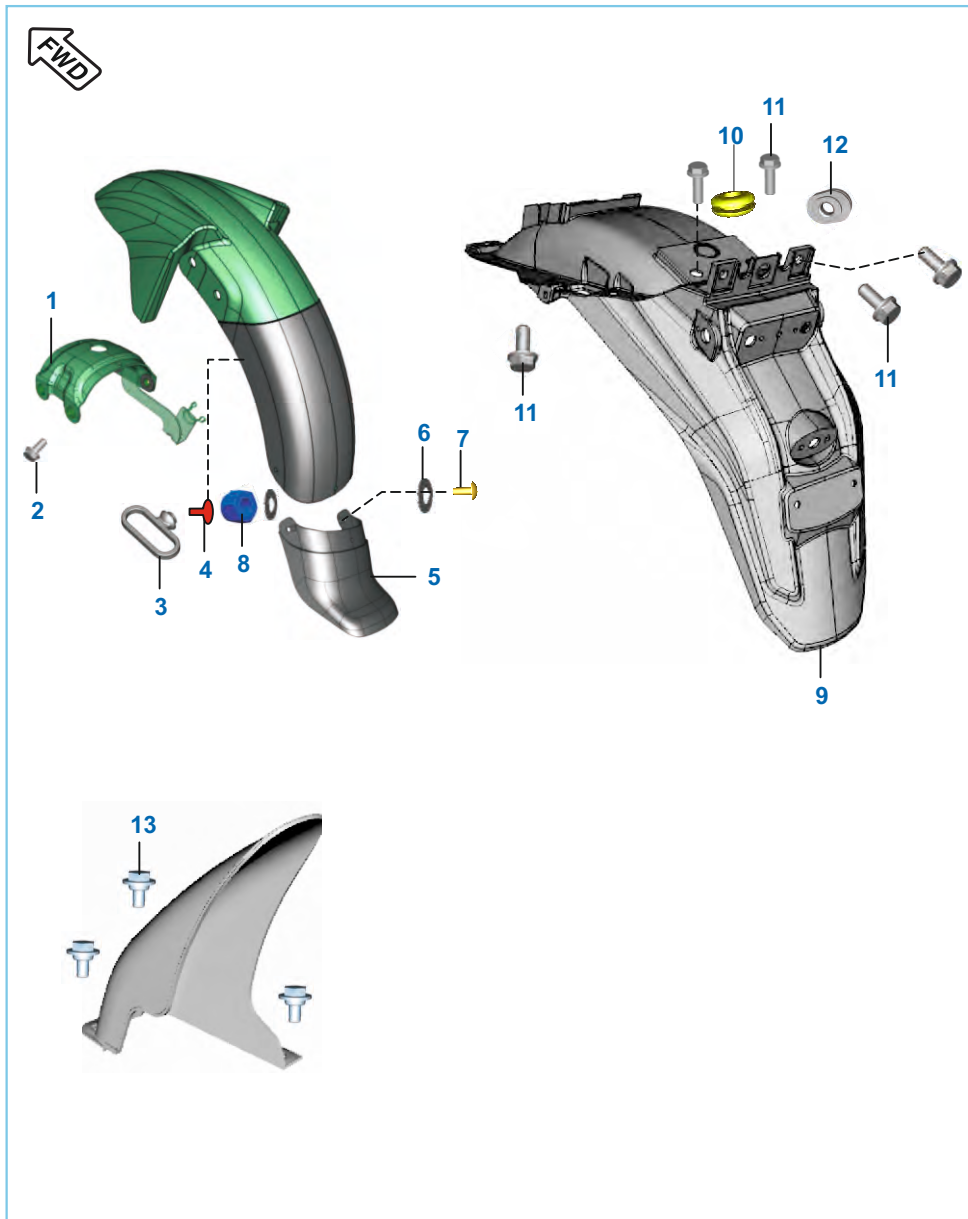


 Front Wheel Direction

Pillion Foot Rest / Holder Step

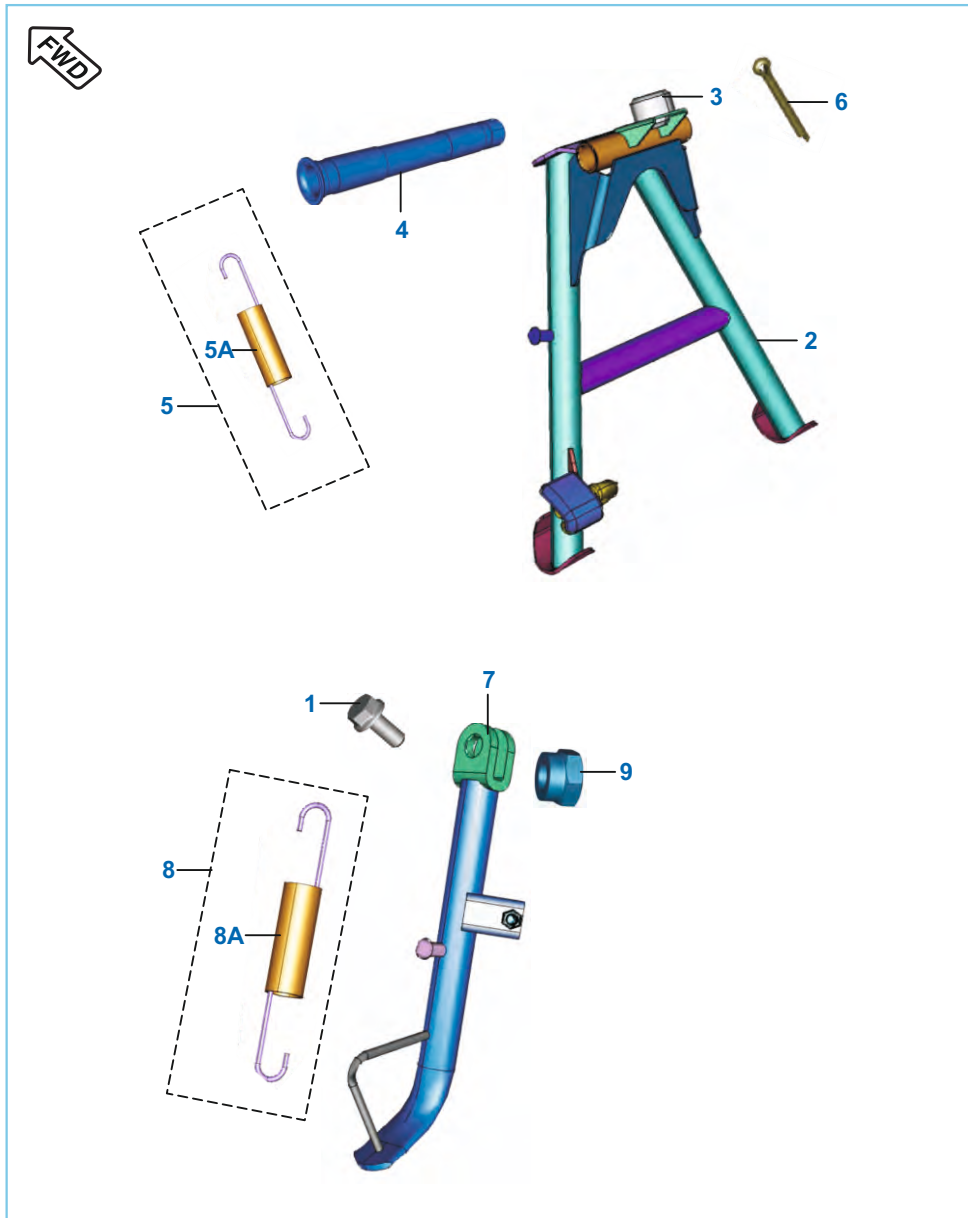
No.	Part No.	Description	Qty.	Remarks
1	JZ 1130 31	Assly Pillion Step LH	1	
2	JD 1130 19	Pin Foot Step	2	
3	GF 1611 43	Spring	2	N.I.
4	30 1410 31	'O' Ring	2	
5	39 1040 11	Washer Plain	2	
6	39 0784 08	Pin Split	2	
7	PA 1130 42	Plate Lock	1	
7A	PA 1130 43	Plate Lock RH	1	
8	30 1012 36	Ball - Steel	2	
9	JL 1130 28	Rubber Pad Footrest	2	
10	LA C000 05	Bolt Socket	4	
11	JZ 1130 32	Assly Pillion RH Step	1	
12	JZ 1130 26	Holder RH Step	1	
13	JZ 1130 42	Damper Silencer	1	
14	DH 1611 57	Tube Silencer Mtg	1	
	DJ 1612 78	Tube Silencer Mtg with Washer	1	
15	JZ 1130 35	Footrest Rubber	2	
16	36 JL00 15	Kit Pillion Hardware	2	
17	JZ 1130 23	Holder LH Step	1	

Mudguard - Front & Rear



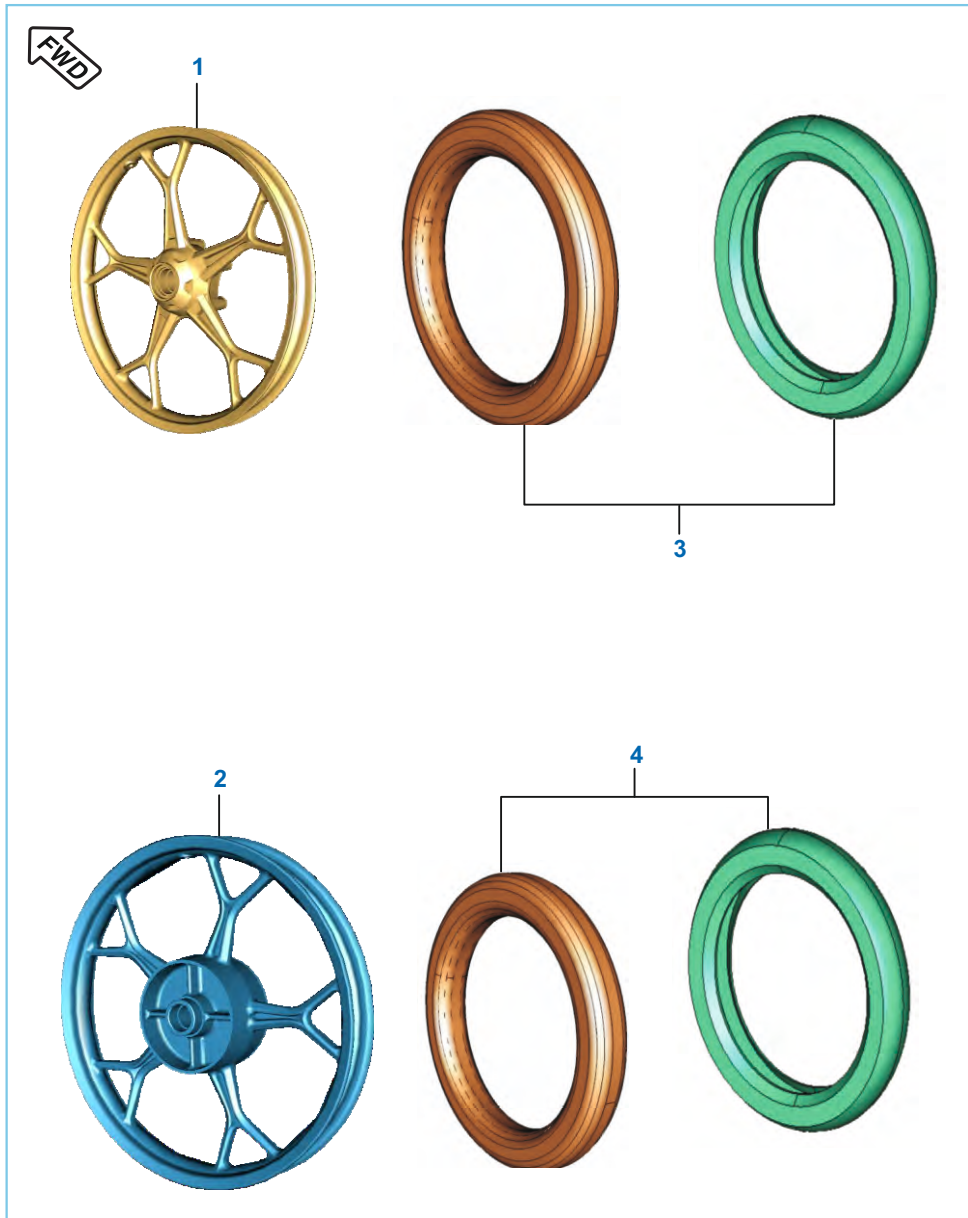
No.	Part No.	Description	Qty.	Remarks
1	JZ 1814 15	Fender Brace	1	
2	39 1556 04	Bolt Hex With Flange - M8 X 1.25	4	
3	DS 1611 25	Guide - Cable	1	
4	DJ 1610 69	Nail - Cable Guide	1	
5	JZ 1814 16	Flap Front Fender	1	
6	39 0242 11	Washer - Plain	6	
7	39 1698 01	Screw - Pan Head : M5	3	
8	39 0326 15	Nut - Nyloc :- M5 X 0.8	3	
9	JZ 1814 19	Fender Rear RR	1	
10	DJ 2011 73	Grommet	3	
11	LA E000 22	Bolt Flanged	6	
12	DH 1611 58	Grommet	1	
13	DS 1612 24	Step Bolt	3	

Stand Assembly



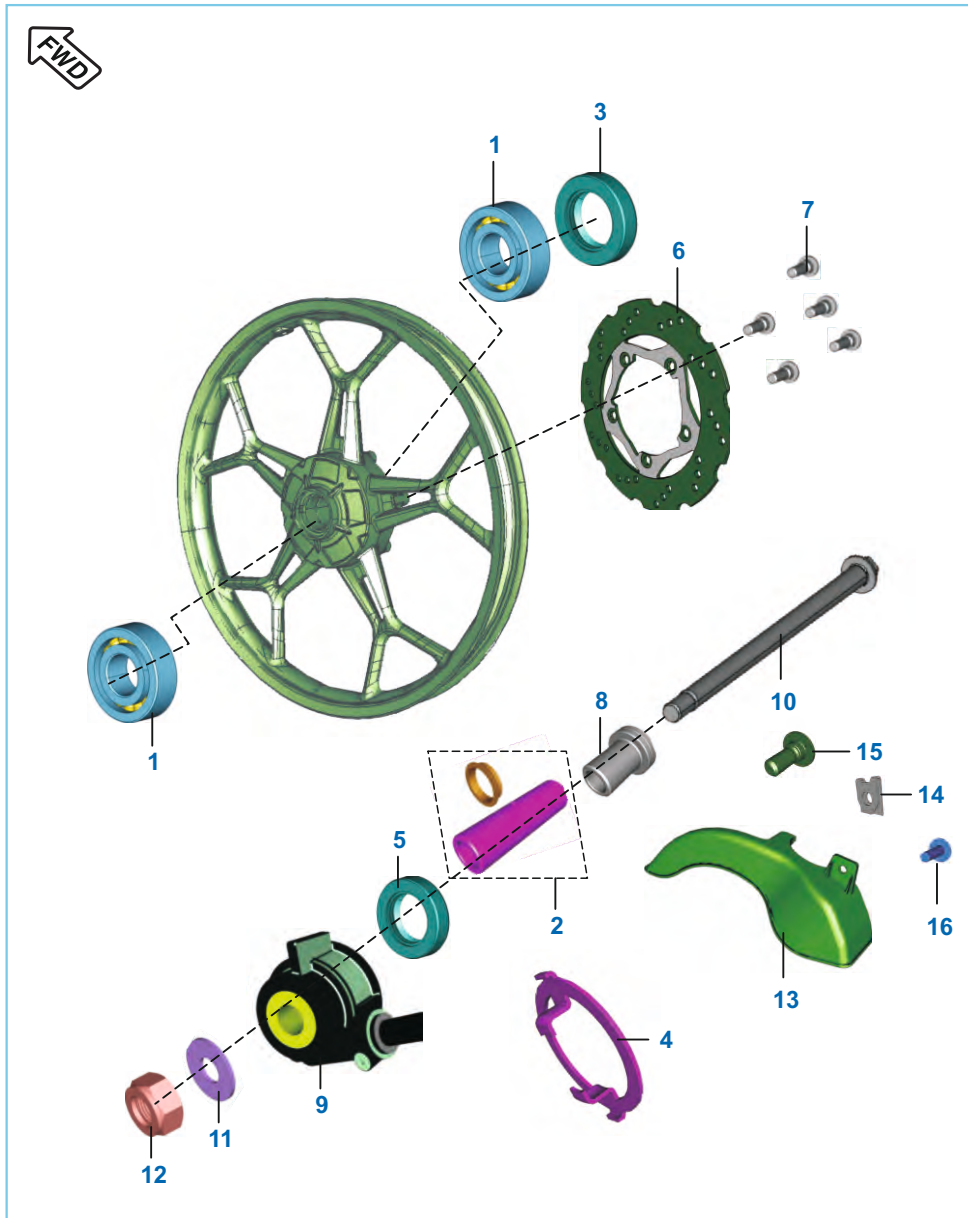
No.	Part No.	Description	Qty.	Remarks
1	DF 1611 02	Bolt For Side Stand Mounting	1	
2	JZ 1132 03	Stand Center	1	
3	PA 1132 04	Damper Center Stand	1	
4	JZ 1132 14	Shaft Center Stand	1	
5	JZ 1132 09	Spring M-Stand With Cover	1	
5A	JZ 1132 12	Cover Spring	1	
6	39 0797 08	Pin - Cotter	1	
7	JZ 1132 04	Stand Side	1	
8	JZ 1132 10	Spring S-Stand With Cover	1	
8A	JZ 1132 11	Cover Spring Side Stand	1	
9	39 0422 15	Nut - Nyloc :- M10	1	

Tube / Tyre / Rim



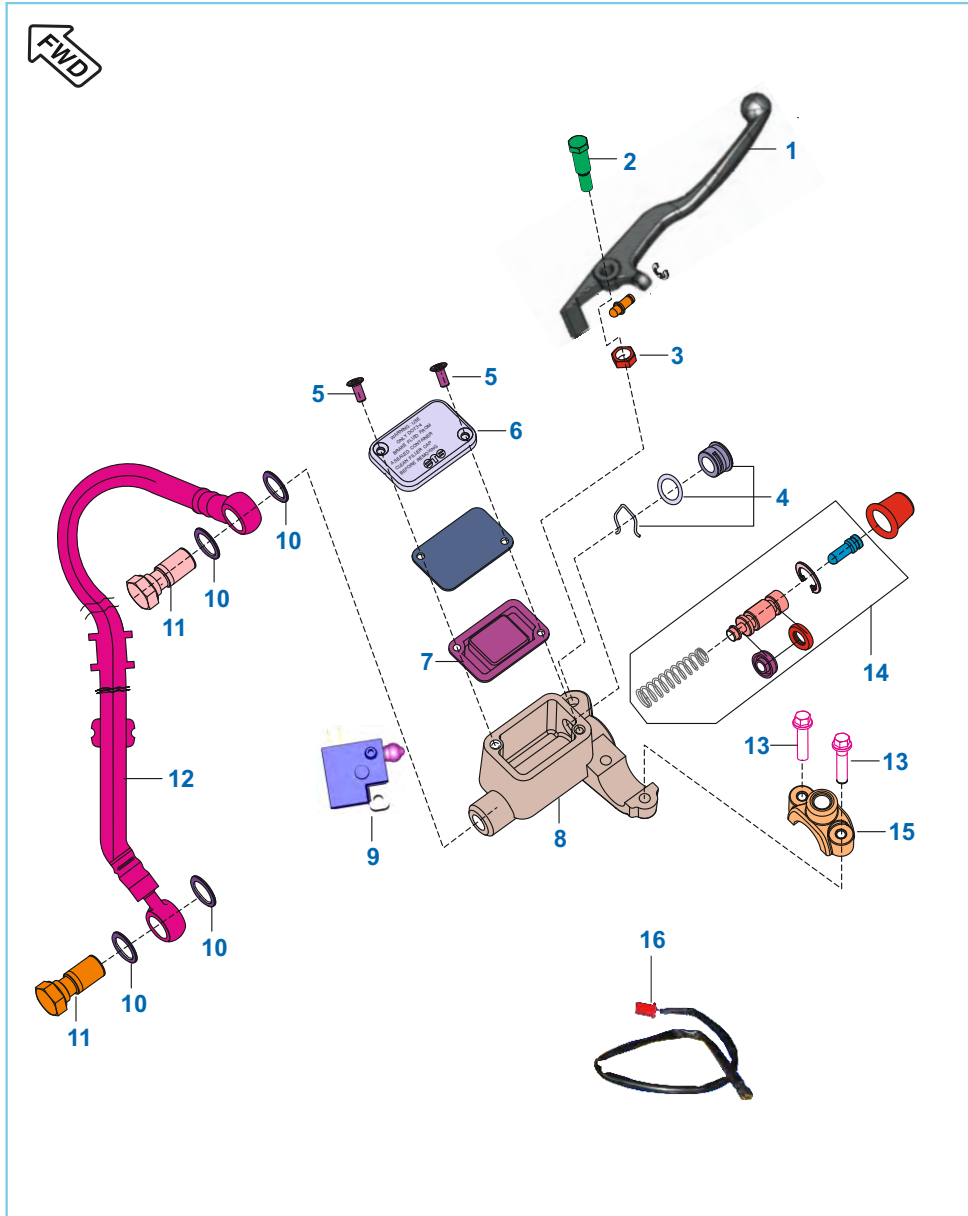
No.	Part No.	Description	Qty.	Remarks
1	JZ 1310 28	Wheel Front 1.4X17	1	
2	JZ 1312 24	Wheel Rear 1.6X17	1	
3	DS 1510 47	Tyre With Tube 2.75 X 17	1	
4	DS 1510 51	Tyre with tube 3 x 17	1	

Front Hub



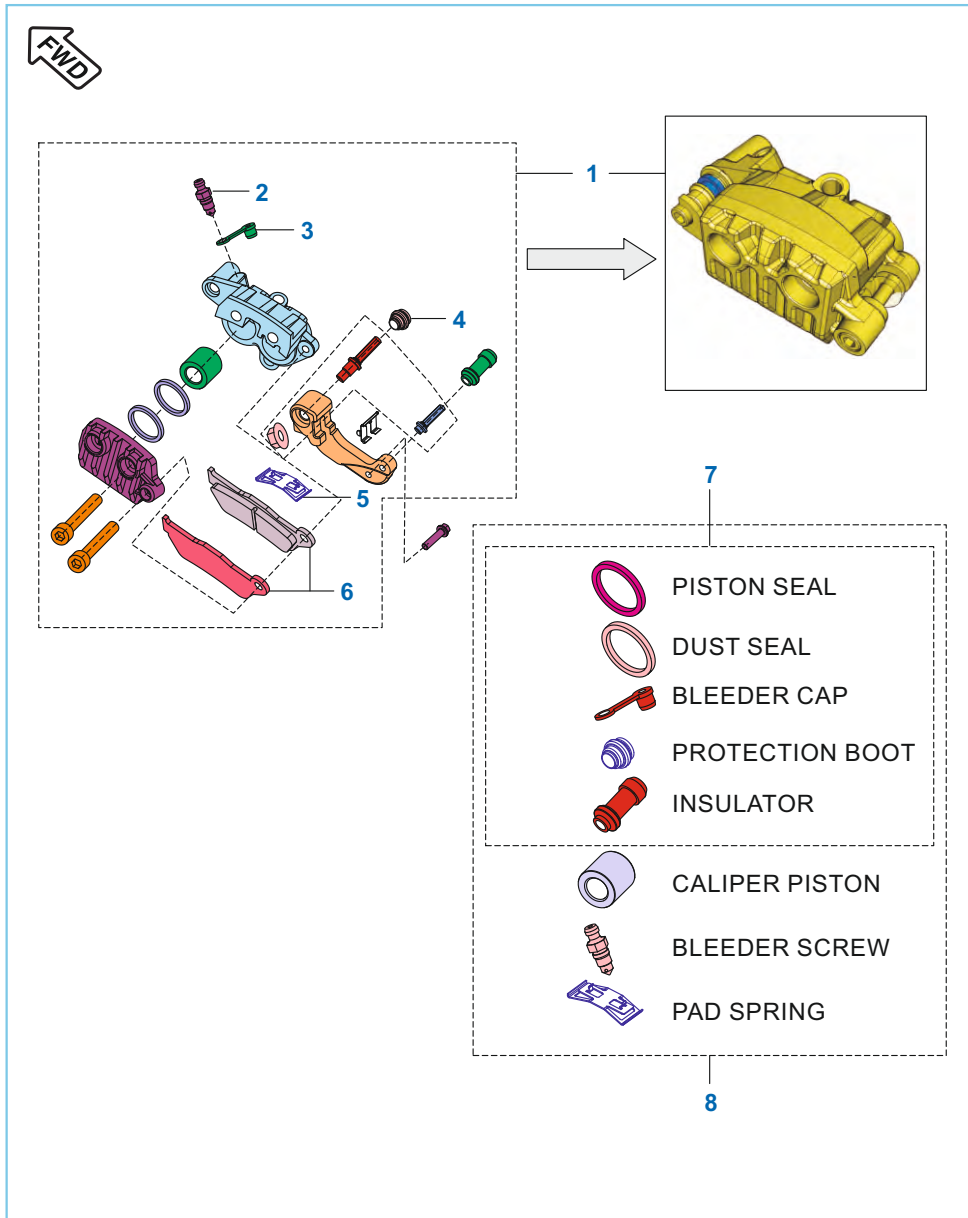
No.	Part No.	Description	Qty.	Remarks
1	KP BB63 01	Bearing-ball-c3 Clearance	2	
2	DE 1510 06	Spacer Assembly	1	
3	30 1510 33	Seal - Oil	1	
4	DE 1510 12	Plate - Drive For Speedometer Gear	1	
5	DE 1510 08	Seal - Oil	1	
6	JZ 1318 18	Disc Brake - 200 Mm	1	
7	LA C000 02	Socket Head Bolt M-6, 10.9	5	
8	DS 1510 58	Spacer	1	
9	JZ 1316 01	Case Meter Assy - Gear	1	
10	JB 1310 17	Axle Front	1	
11	KD AA12 22	Washer Plain Small	1	
12	59 1500 03	U Nut M12	1	
13	JW 1812 41	Cover Disc	1	
14	JN 1812 11	Clip Nut - M6	1	
15	LB U000 04	Step Bolt - M5 X 12L - 4.8	1	
16	LB U000 05	Screw Truss - M6 X 35 L, 4.8	1	

Front Master Cylinder



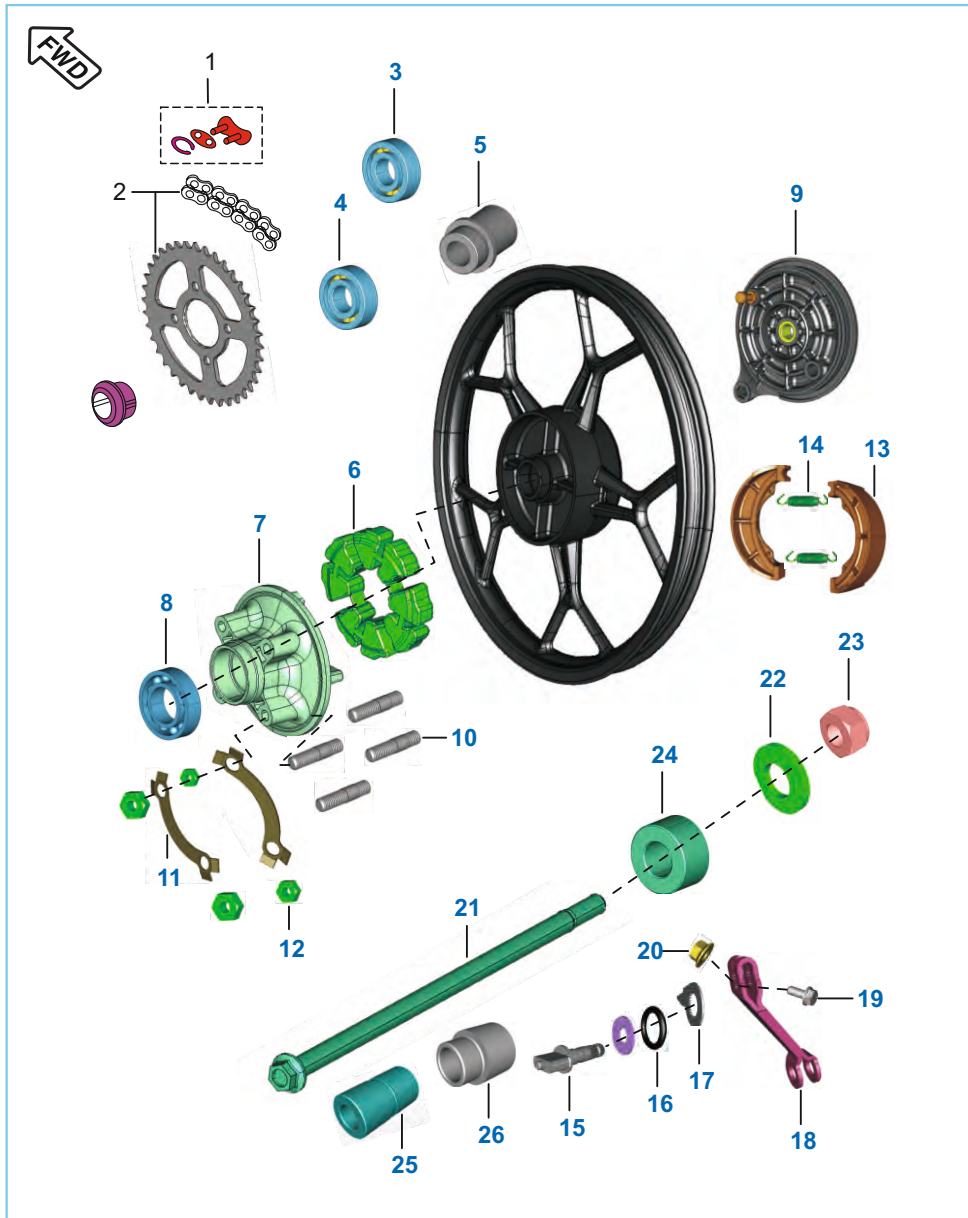
No.	Part No.	Description	Qty.	Remarks
1	DJ 1910 57	Lever Front Brake-micro Sw-kbx	1	
2	DJ 1910 29	Bolt - Fr Brake Levr	1	
3	DJ 1910 30	Nut - Fr Brake Lever	1	
4	36 Dh19 02	O Ring Kit Master Cyl,pulsar	1	
5	DJ 1910 31	Screw	2	
6	DJ 1910 34	Reservoir Cap	1	
7	DJ 1910 35	Diaphragm	1	
8	DJ 1910 56	Cylinder Master-micro Sw-kbx	1	
9	DJ 2011 09	Switch	1	
10	DE 1910 10	Washer - Copper	4	
11	DK 1510 69	Bolt - Banjo	2	
12	JW 1318 05	Hose Assembly	1	
13	DJ 1910 28	Bolt - Clamp Holder	2	
14	DE 1910 43	Major Kit-master Cylinder	1	
15	DJ 1910 27	Clamp Holder RH	1	
16	DJ 2011 08	Cable Front Brake Switch	1	

Front Disc Brake



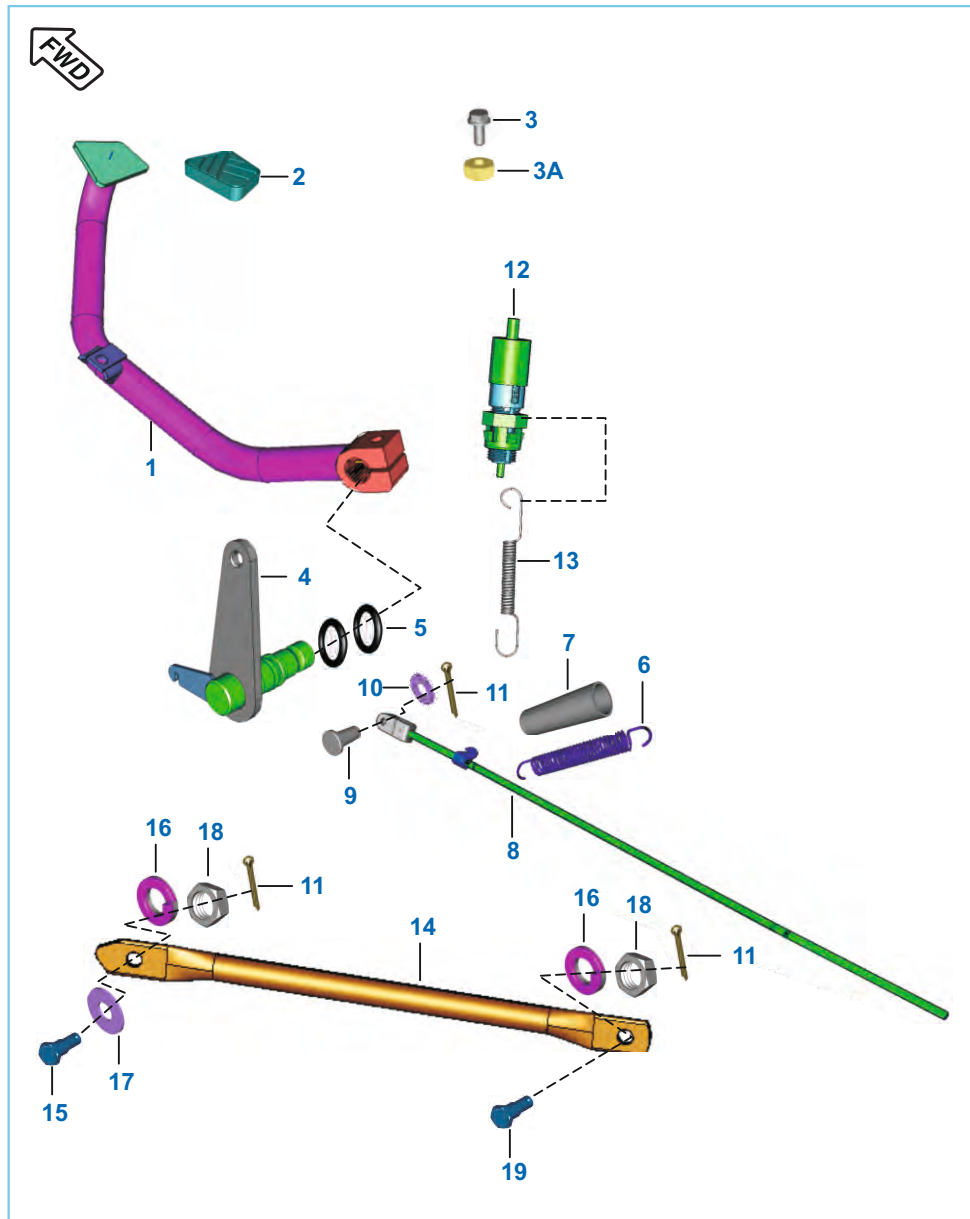
No.	Part No.	Description	Qty.	Remarks
1	JW 1318 01	Caliper Assy Brake Front	1	
2	DE 1510 46	Screw Bleeder	1	
3	DE 1510 47	Bleeder Cap	1	
4	JL 1318 07	Boot	1	
5	DE 1510 48	Spring	1	
6	JW 1318 07	Pad	1	
7	36 DJ40 32	Minor Kit	1	
8	36 DJ40 33	Major Kit	1	

Rear Hub



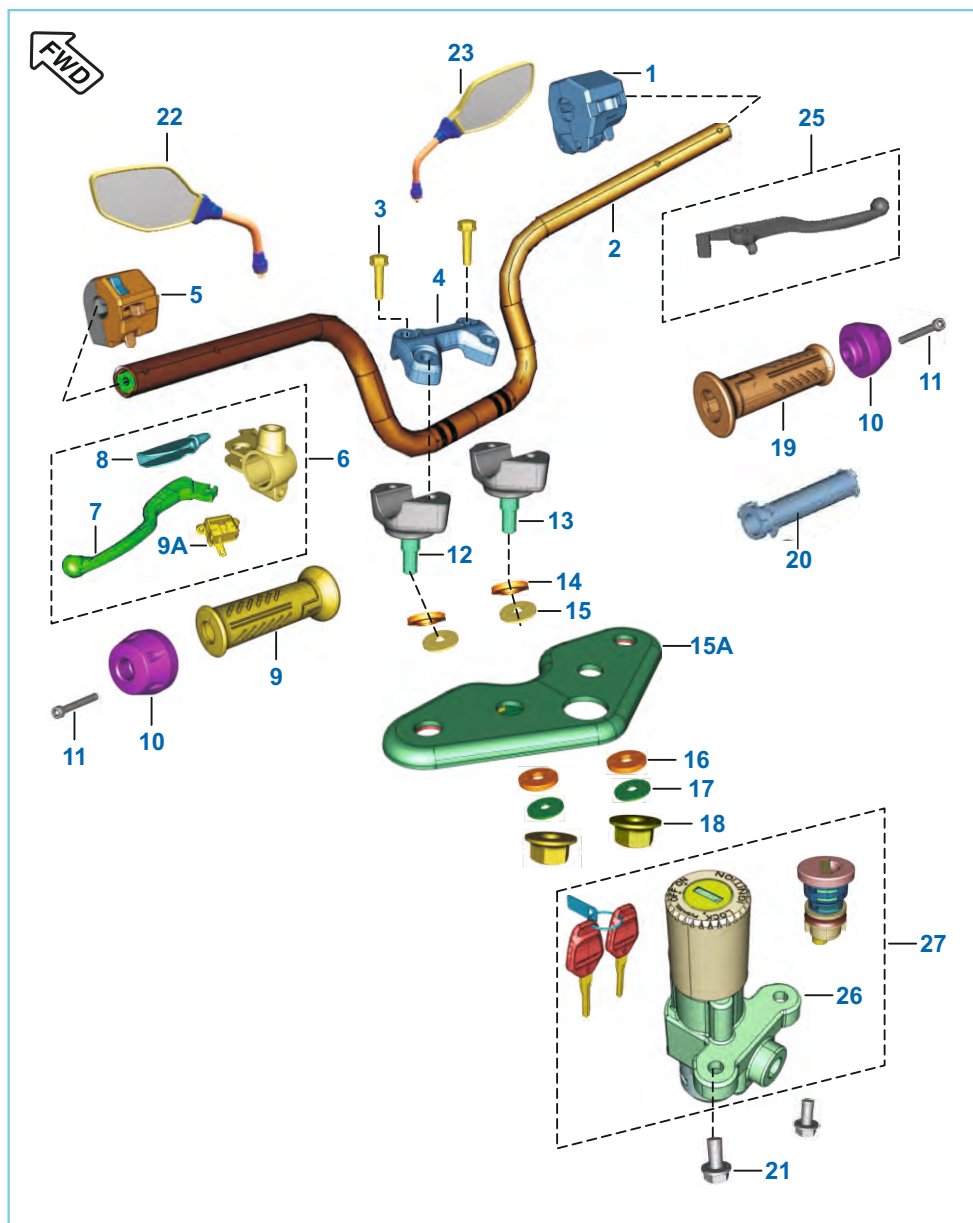
No.	Part No.	Description	Qty.	Remarks
1	JD 1410 03	Drive Chain Lock	1	
2	36 JZ00 80	Kit Chain Sprocket	1	
3	KP BB62 02	Bearing-Ball-C3 Clearance	1	
4	KP BB63 02	Bearing-Ball-C3 Clearance	1	
5	30 1510 75	Collar-Bearing	1	
6	JG 1312 19	Coupling Rubber	1	
7	JN 1312 03	Coupling	1	
8	KP BC60 04	Bearing-ball-c3 Clearance	1	
9	JZ 1318 13	Panel Rear Brake	1	
10	DS 1510 73	Stud	4	
11	PF 1312 20	Washer Lock	2	
12	LC B000 05	Nut Hex A/F	4	
13	JN 1318 12	Brake Shoe Kit	2	Non Asbestos
14	30 1510 69	Spring	2	
15	30 1510 11	Cam Assly Brake	1	
16	30 1510 38	'O' Ring	1	
17	DS 1510 90	Wear Indicator	1	
18	JZ 1318 03	Lever Cam Brake	1	
19	39 2447 04	Hex Bolt with Flange	1	
20	DS 1510 94	Flange Nut	1	
21	JN 1312 11	Axle Rear	1	
22	LD B000 01	Washer Plain	2	
23	DH 1710 19	Nut - U :- Swing Arm	1	
24	JD 1312 15	Collar Assy	1	
25	DX 1510 22	Collar	1	
26	JD 1312 12	Sleeve	1	

Rear Brake Pedal



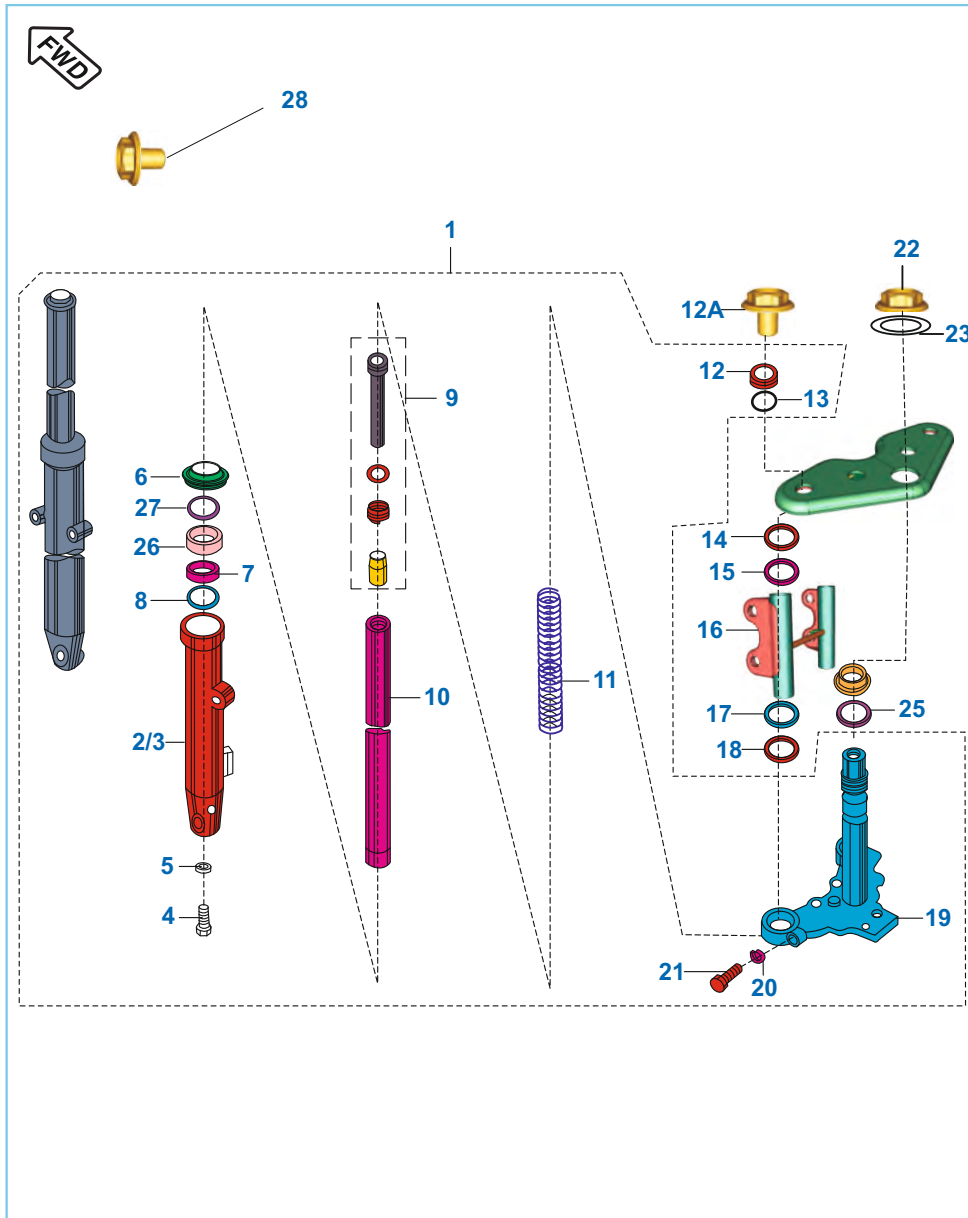
No.	Part No.	Description	Qty.	Remarks
1	JZ 1610 34	Brake Pedal	1	
2	JZ 1610 19	Pad Brake Pedal	1	
3	39 1553 04	Bolt - Flange :- M6	1	
3A	39 0292 15	Nut Hexagon M6	1	
4	JZ 1610 11	Shaft Assly Brake Lever	1	
5	39 1537 21	Ring - O	2	
6	JD 1610 02	Spring Brake Pedal	1	
7	JD 1610 06	Sleeve Brake Return Spring	1	
8	JZ 1318 10	Brake Rod	1	
9	JZ 1318 75	Pin Brake Rod	1	
10	39 0198 11	Washer - Plain	1	
11	39 0808 08	Pin - Split	1	
12	31 2010 79	Rear Brake Switch	1	
13	JM 1910 14	Spring Brake Switch	1	
14	DS 1510 25	Rod - Torque	1	
15	DH 1510 29	Bolt - Step :- Torque Rod	1	
16	39 0789 12	Washer - Spring	2	
17	39 1540 11	Washer - Plain	1	
18	39 0694 15	Nut - Hexagon Lock : M8 X 1.25	2	
19	30 1510 96	Bolt - Hexagon	1	
20	36 DK00 17	Kit Hardware Brake Rod	1	

Handle Bar Assly

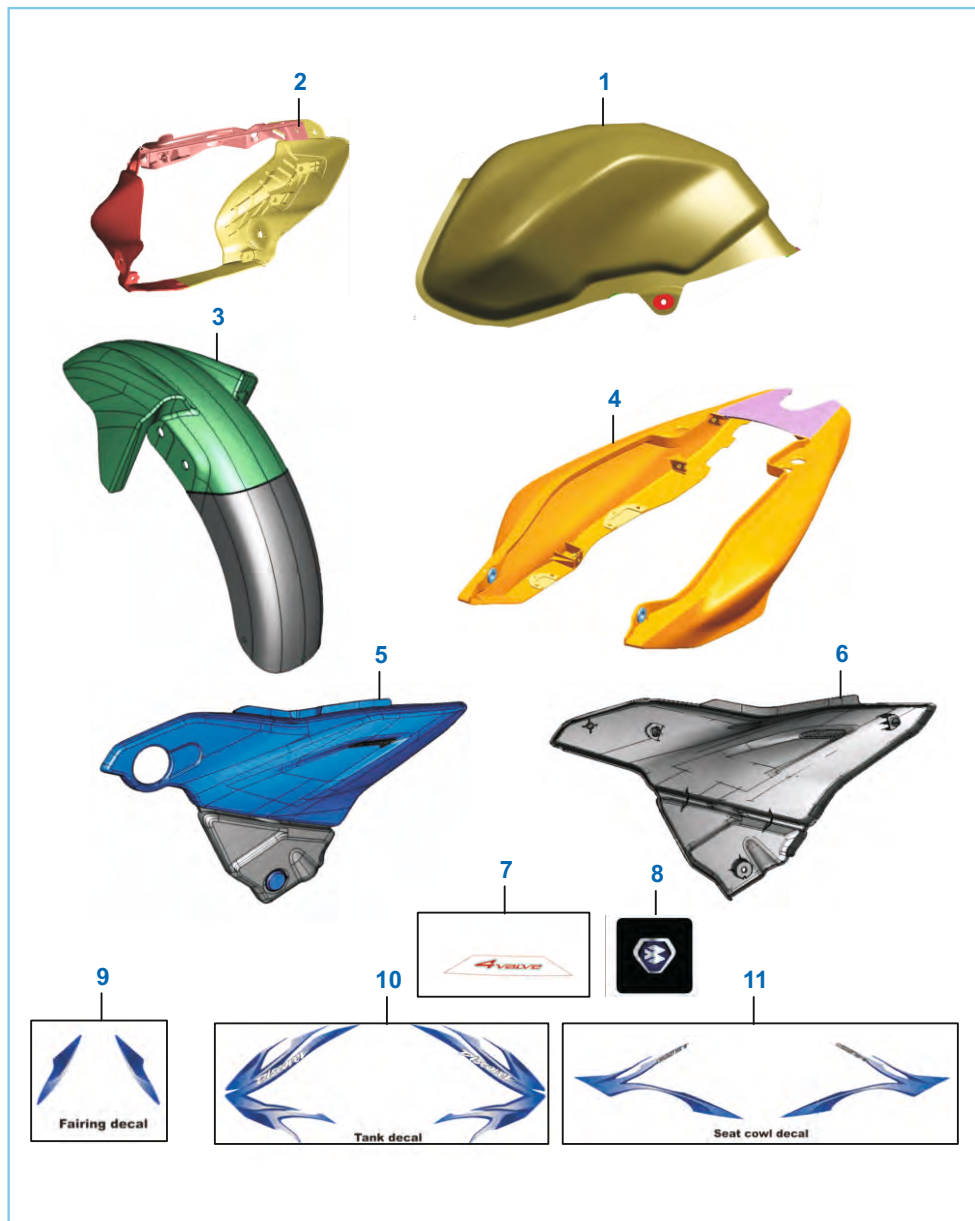


No.	Part No.	Description	Qty.	Remarks
1	PA 4014 05	Control Switch RH	1	
	JZ 4014 08	Switch Control RH	1	
2	JZ 1510 70	Handle Bar	1	
3	39 2582 04	Bolt - Flanged	4	
4	JZ 1810 07	Holder Handle	1	
5	JB 4014 00	Control Switch LH	1	
6	JZ 1610 23	Lever & Support Holder Asy LH	1	
7	DJ 1910 83	Lever Grip Left	1	
8	DS 1910 52	Lever Boot LH For Clutch Switch	1	
9	JZ 1510 64	Hand Grip LH	1	
9A	JZ 4014 03	Clutch Switch	1	
10	JZ 1510 69	Handle Bar Weight	2	
11	LA C000 31	Bolt Socket	2	
12	JZ 1810 13	Holder Lever LH	1	
13	JZ 1810 12	Holder Lever RH	1	
14	DS 1810 07	Washer Handle Upper	2	
15	JZ 1510 78	Damper Upper	2	
15A	JZ 1510 45	Holder Fork Upper	1	
16	JZ 1510 79	Damper Lower	2	
17	DS 1510 10	Washer	2	
18	39 0422 15	Nut	2	
19	JZ 1510 65	Hand Grip RH	1	
20	DX 1910 01	Pipe Throttle	1	
21	39 1902 04	Bolt Flange	2	
22	JZ 2316 00	Mirror LH	1	
23	JZ 2316 01	Mirror RH	1	
24	30 1910 48	Band	2	N.I.
25	DJ 1910 57	Lever Assembly RH	1	
26	JZ 4014 00	Ignition Switch	1	
27	JZ 2326 00	Lock Set	1	
28	DJ 2011 09	Front Brake Switch	1	

Front Fork

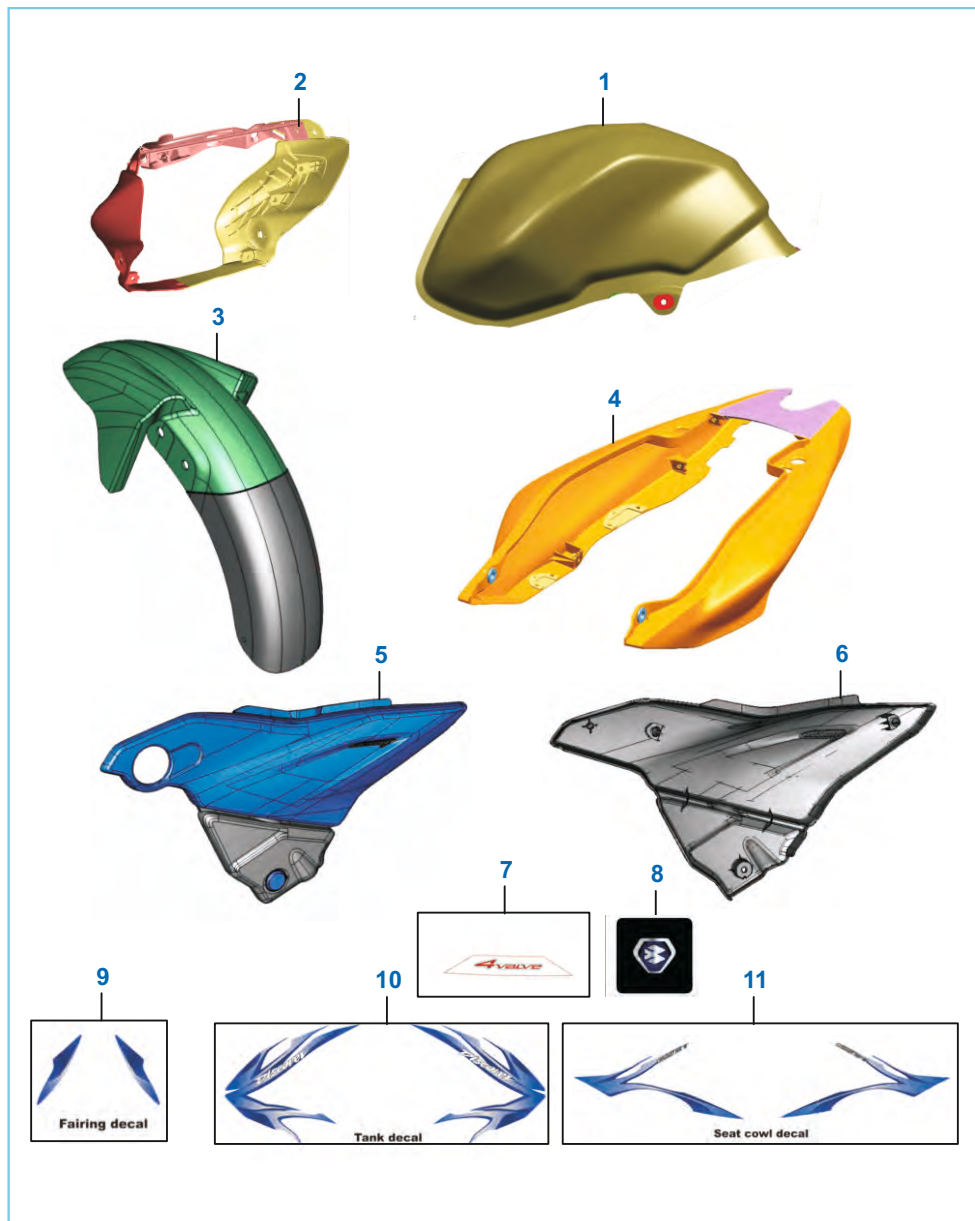


No.	Part No.	Description	Qty.	Remarks
1	JZ 1210 27	Fork Assly Comp-Disc	1	
2	JZ 1210 30	Tube Outer LH	1	
3	JZ 1210 31	Tube Outer RH	1	
4	30 1810 25	Socket Head Bolt	2	
5	30 1810 26	Gasket	2	
6	DD 1810 32	Seal Dust	2	
7	JK 1210 07	Guide Bush (Dia. 30)	2	
8	JK 1210 09	Washer-Guide Bush	2	
9	36 JZ01 07	Kit Cylinder Fork	2	
10	JZ 1210 40	Fork Pipe Spinning	2	
11	PA 1210 17	Spring Main	2	
12	DS 1810 12	Bolt Fork	2	
12A	59 0400 06	Hex Bolt	2	
13	30 1810 29	'O' Ring	2	
14	DJ 1810 85	Damper Fork Cover FR Fork	2	
15	DJ 1810 43	Cover - Fork :- B	2	
16	52 JZ03 55	Lamp Shade S/A .	1	
17	DJ 1810 42	Cover Fork A	2	
18	PF 1210 28	Damper Cover Fork	2	
19	JZ 1210 15	Assembly Under Bracket Comp	1	
20	39 0789 12	Washer Spring	2	
21	39 1181 01	Bolt Hexagon Head M8X40	2	
22	DS 1810 15	Cap Nut Fork	1	
23	DS 1810 16	Plain Washer	1	
24	JZ 1318 80	Clamp Brake Hose	1	
25	JZ 1510 91	Seal Dust	1	
26	DL 1810 80	Seal oil : fork+2gartr Sprng	2	
27	31 1811 08	Ring Snap	2	
28	DH 1510 39	Bolt Flange Pre-coated (m8 X 30) -B	2	



Painted Parts and Decals

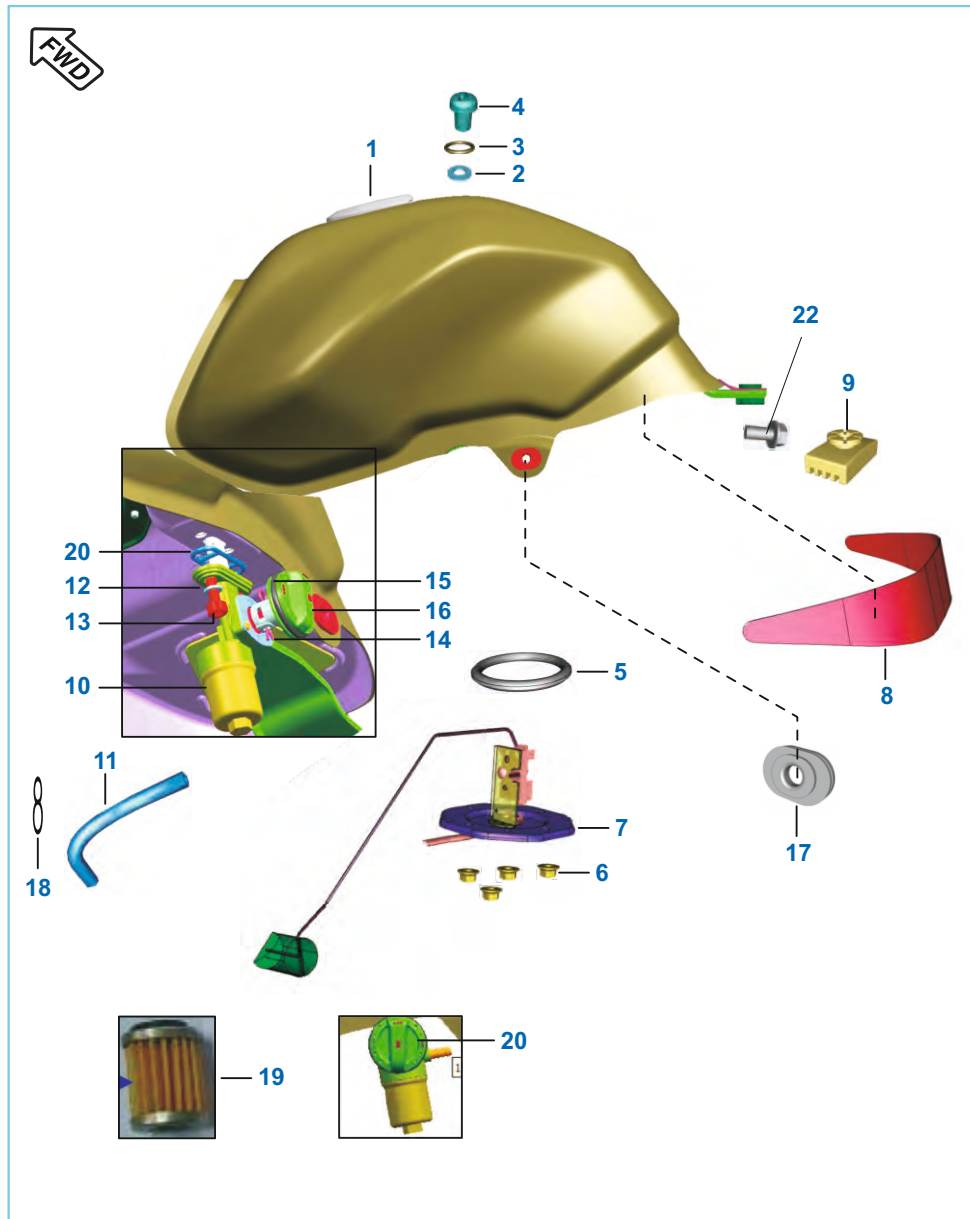
No.	Part No.	Description	Qty.	Remarks
1	52 JZ18 87	Tank Ebony Black Wh Red Dcal	1	
	52 JZ18 86	Tank Ebony Black Wh Blu Dcal	1	
	52 JZ18 89	Fuel Tank Flame Red With Decal	1	
	52 JZ18 88	Fuel Tank Electron Blue Wh Dcal	1	
2	52 JZ19 14	Cowling Flame Red With Decal	1	
	52 JZ19 11	Cowling Eb.black Wh Blu Dcal	1	
	52 JZ19 12	Cowling Eb.black Wh Red Dcal	1	
	52 JZ19 13	Cowling Electron Blue Wh Dcal	1	
3	56 JZ89 3F	Painted_part Front Fender Fl Red	1	
	56 JZ05 X3	Painted_part Front Fender Eb Blk	1	
	56 JZ89 3E	Painted_part Front Fender El Blue	1	
4	JZ 7305 3F	Seat Cowl Pntd BI-flame Red Dcl	1	
	52 JZ19 04	Seat Cowl Eb.black Wh Blue Dkl	1	
	52 JZ19 05	Seat Cowl Eb.black Wh Red Dkl	1	
	52 JZ19 06	Seat Cowl Pntd Brilliant Blue	1	
5	52 JZ18 95	Sd Cvr LH Asly Silver Wh Decal	1	
6	52 JZ18 97	Sd Cvr RH Asly Silver Wh Decal	1	



Painted Parts and Decals

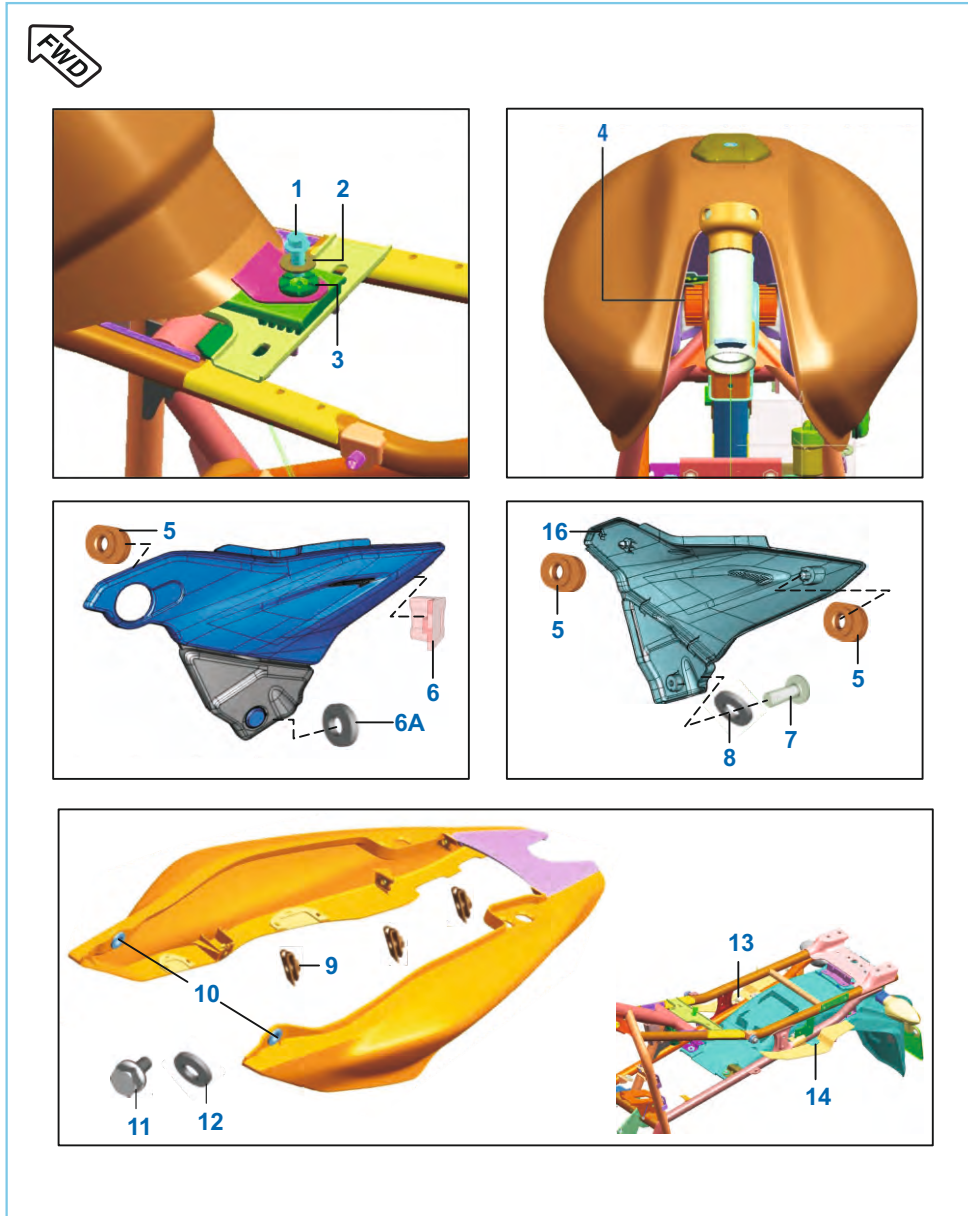
No.	Part No.	Description	Qty.	Remarks
7	JZ 2331 78	4 Valve Dcl	2	
8	JZ 2331 77	Fairing Decal B-logo	1	
9	36 JZ00 91	Kit Faring Dcl D102 BI-Red	1	
	36 JZ00 89	Kit Faring Dcl D102 BI-Blue	1	
	36 JZ00 95	Kit Faring Dcl D102 Red	1	
	36 JZ02 03	Kit Fairing Dcl EI Blue	1	
10	PA 2331 01	Kit Tank Decal BI-FlameRed	1	
	PA 2330 94	Kit Tank Decal BI-Blue	1	
	PA 2331 17	Kit Tank Decal Red	1	
	36 JZ02 02	Kit Tank Dcl EI Blue	1	
11	36 JZ00 92	Kit S Cowl Dcl BI-Flame Red	1	
	36 JZ00 90	Kit S Cowl Dcl BI-Blue	1	
	36 JZ00 96	Kit S Cowl Dcl Red	1	
	36 JZ02 04	Kit S Cowl Dcl EI Blue	1	

Petrol Tank, Cap Tank and Gauge Fuel



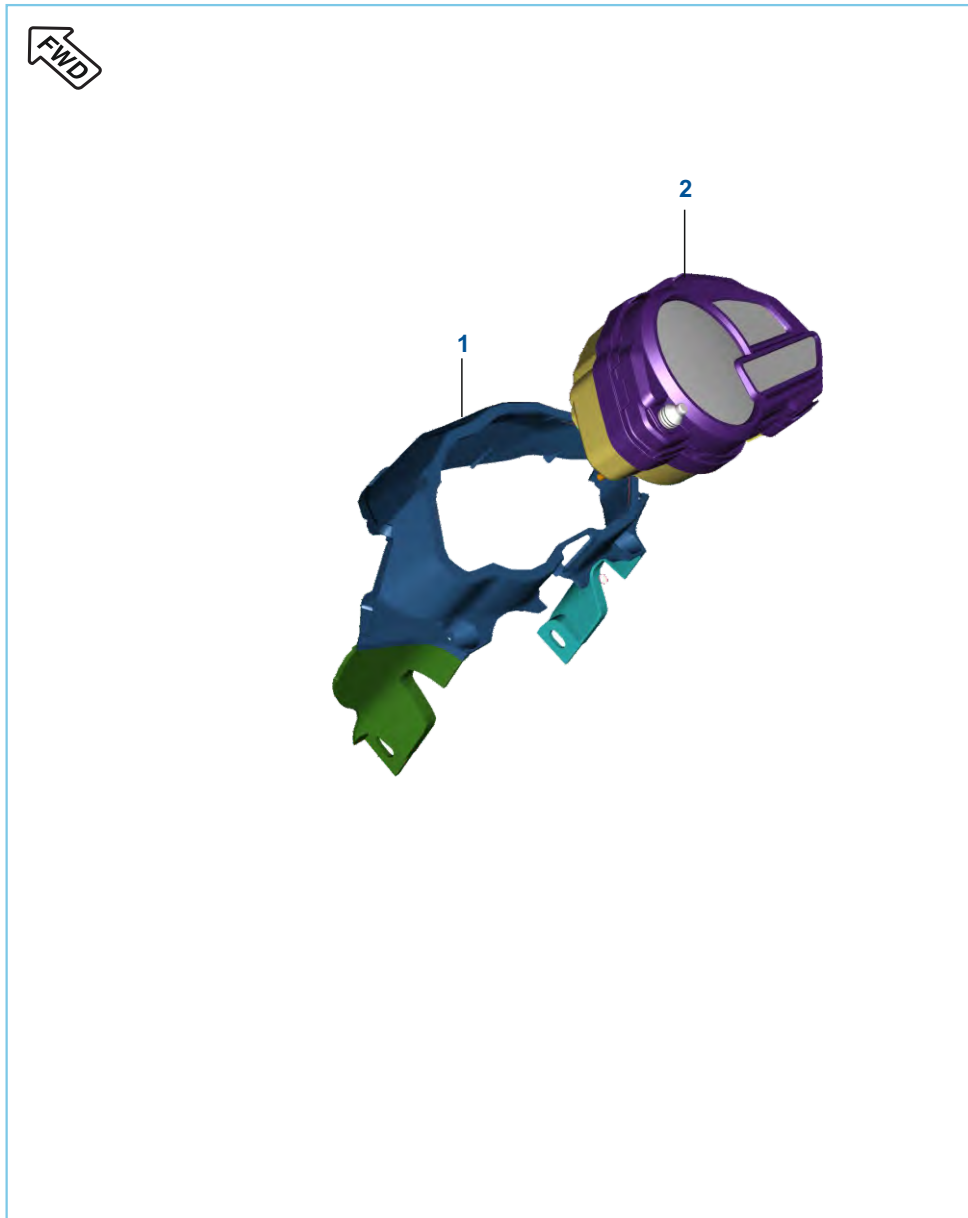
No.	Part No.	Description	Qty.	Remarks
1	JZ 1710 04	Cap Fuel Tank	1	
2	39 2179 24	Washer	2	
3	30 1410 31	Ring - 'O'	2	
4	AP 1012 55	Screw Pan Cross - M5	2	
5	DK 1410 28	Ring - O I.D. 40 X 5	1	
6	39 2484 15	Nut - Flange :- M5	4	
7	JZ 4026 00	Gauge Fuel Tank	1	
8	JZ 1710 17	Tape Seat	1	
9	JD 1110 52	Grommet Tank mtg	1	
10	JZ 1718 07	Assembly Fuel Tap	1	
11	JZ 1718 29	Tube Fuel	1	
12	39 0740 11	Washer (Non-Metallic)	2	
13	DD 1412 27	Bolt - Flanged	2	
14	JL 1718 03	Pin Snap	1	
15	JL 1710 60	'O' Ring for Knob	1	
16	JZ 1718 17	Knob Fuel Tank	1	
17	DS 1410 12	Grommet Side Cover - Front	2	
18	DK 1410 41	Pipe Clip	2	
19	JZ 1718 18	Filter Paper Element	1	
20	30 1410 39	Packing	1	
21	DZ 1410 75	Gasket 4 Hole With F.k.m Matl	1	N.I.
22	KA ED06 20	Bolt-Flanged-Small	1	

Fittings - Petrol Tank Cover, Side Covers & Cover Seat



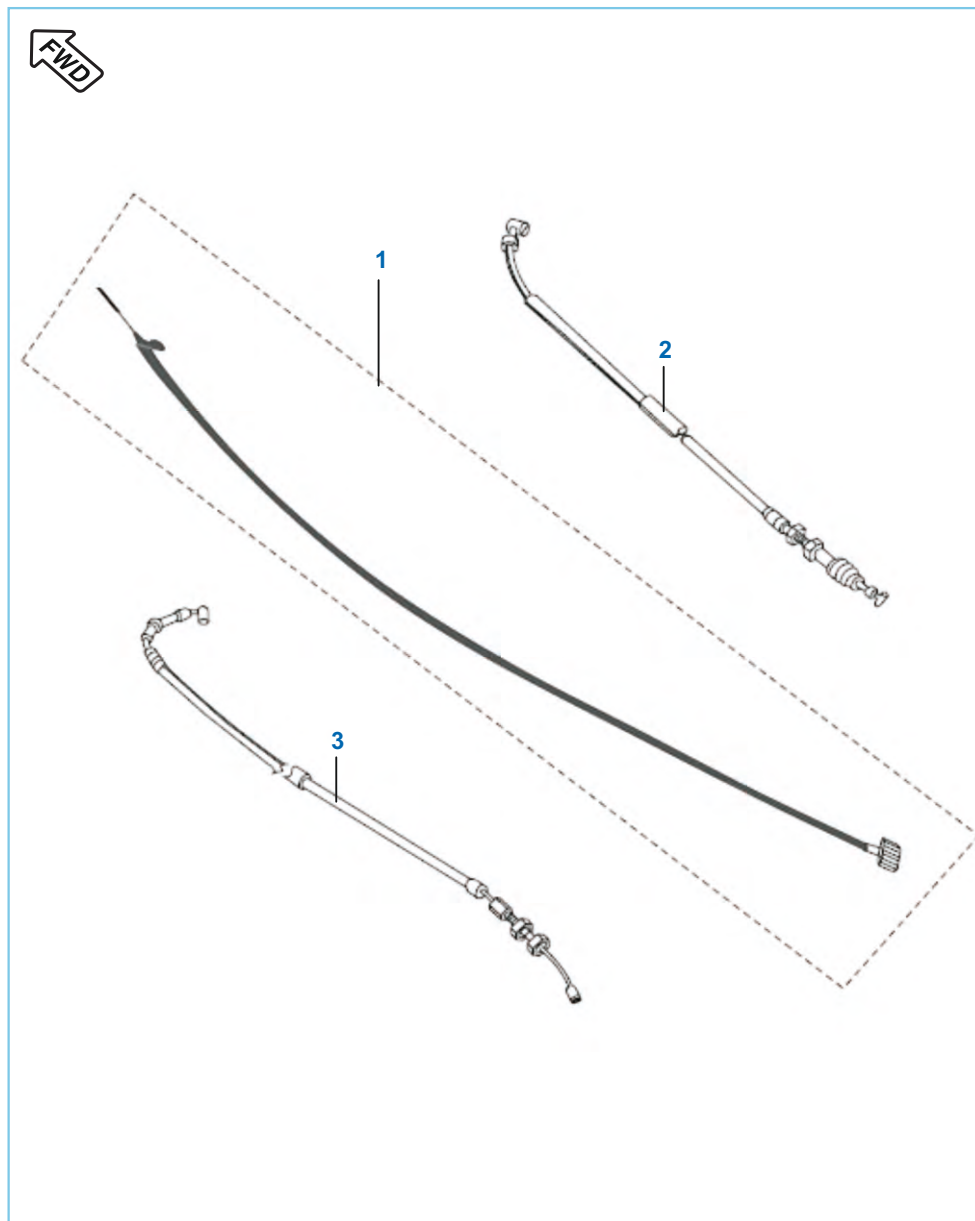
No.	Part No.	Description	Qty.	Remarks
1	39 1956 04	Bolt Flange- small	1	
2	39 2424 11	Plain Washer	1	
3	JD 1110 52	Grommet Tank Mtg	1	
4	DJ 1410 08	Damper - Front	2	
5	DS 1410 12	Grommet - Side Cover : Front	3	
6	JW 1610 17	Grommet Side / C Rear	1	
6A	DU 1611 02	Damper	1	
7	DG 1611 21	Screw	1	
8	39 1789 24	Washer - Nylon	1	
9	DJ 1612 29	Clip Nut M5	2	
10	JL 1812 19	Grommet -1 Seat Cowl	2	
11	39 1943 04	Bolt - Flanged	2	
12	LD A000 18	Washer 6.2X20X1.5	2	
13	JZ 1812 70	Flap Seat Cowl RH	1	
14	JZ 1812 69	Flap Seat Cowl LH	1	
15	LB U000 07	Screw Truss M5 X 15L	2	N.I.
16	JZ 1812 71	Damper Side Cover	2	

Meter Assembly



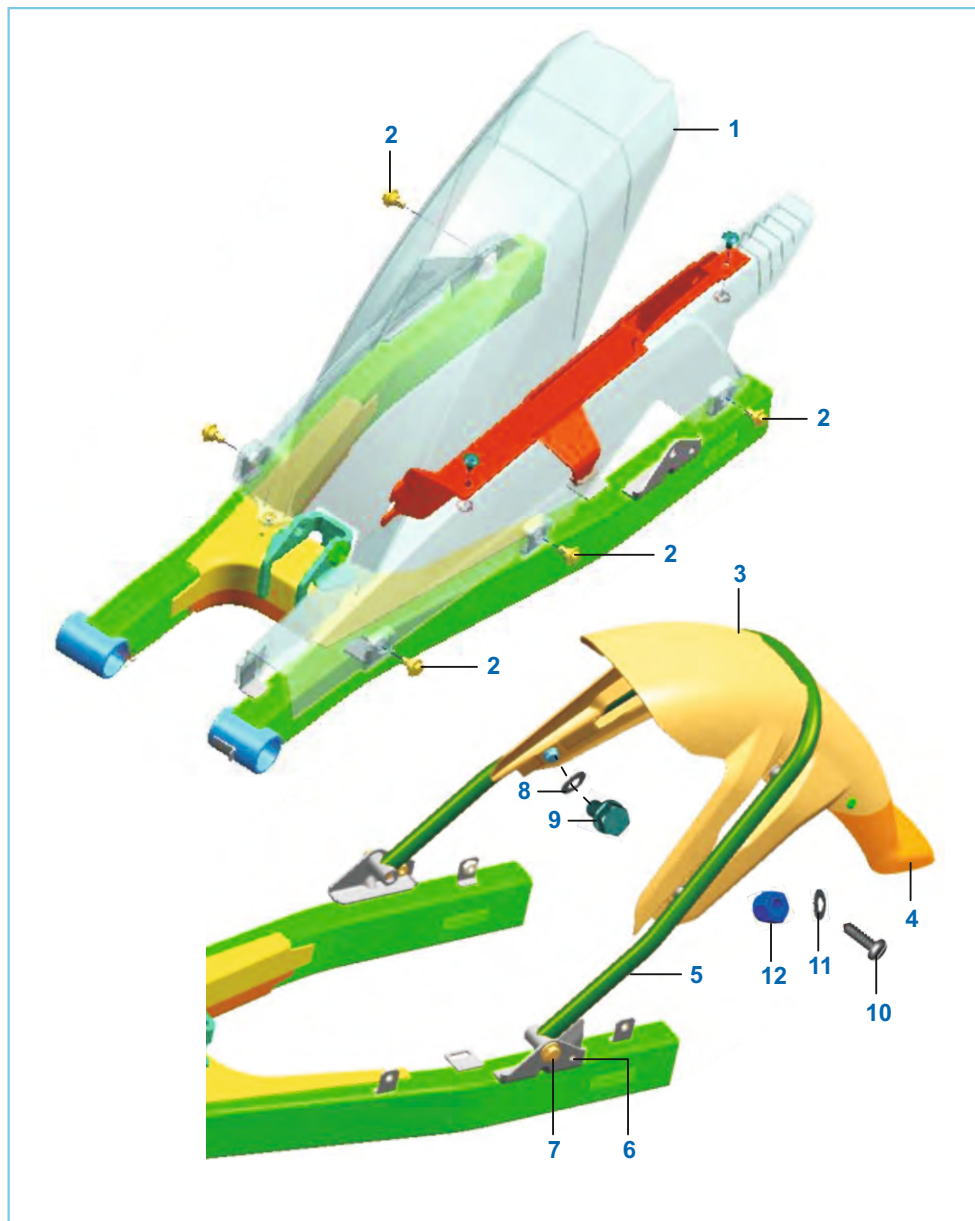
No.	Part No.	Description	Qty.	Remarks
1	PA 1812 26	Assembly Speedo Flap	1	
2	PA 4024 22	Speedometer Assembly	1	

Control Cables



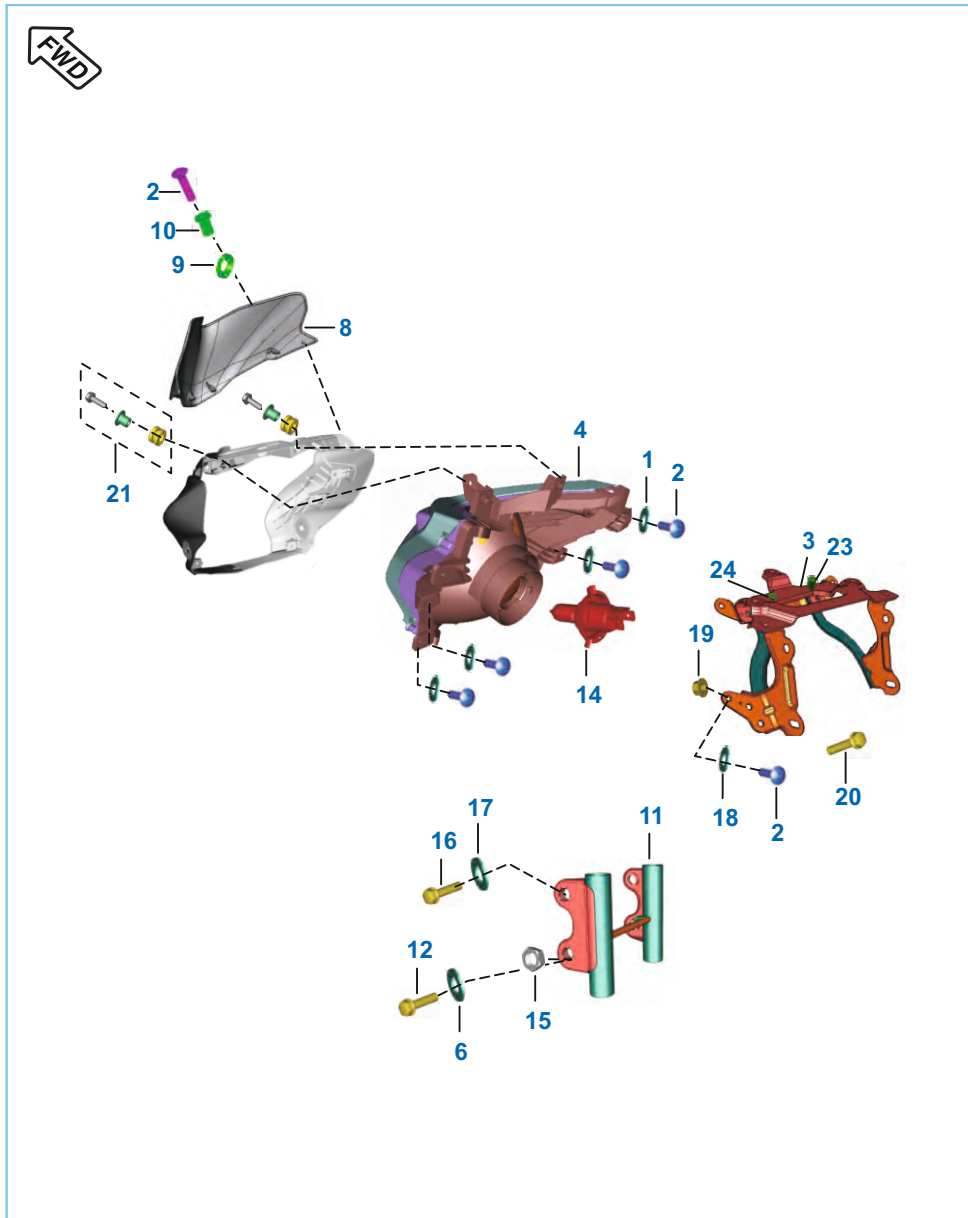
No.	Part No.	Description	Qty.	Remarks
1	JZ 1612 10	Cable Speedometer	1	
2	JZ 1612 07	Cable Accelerator	1	
3	JZ 1612 08	Cable Clutch	1	

Chain Case (125ST)



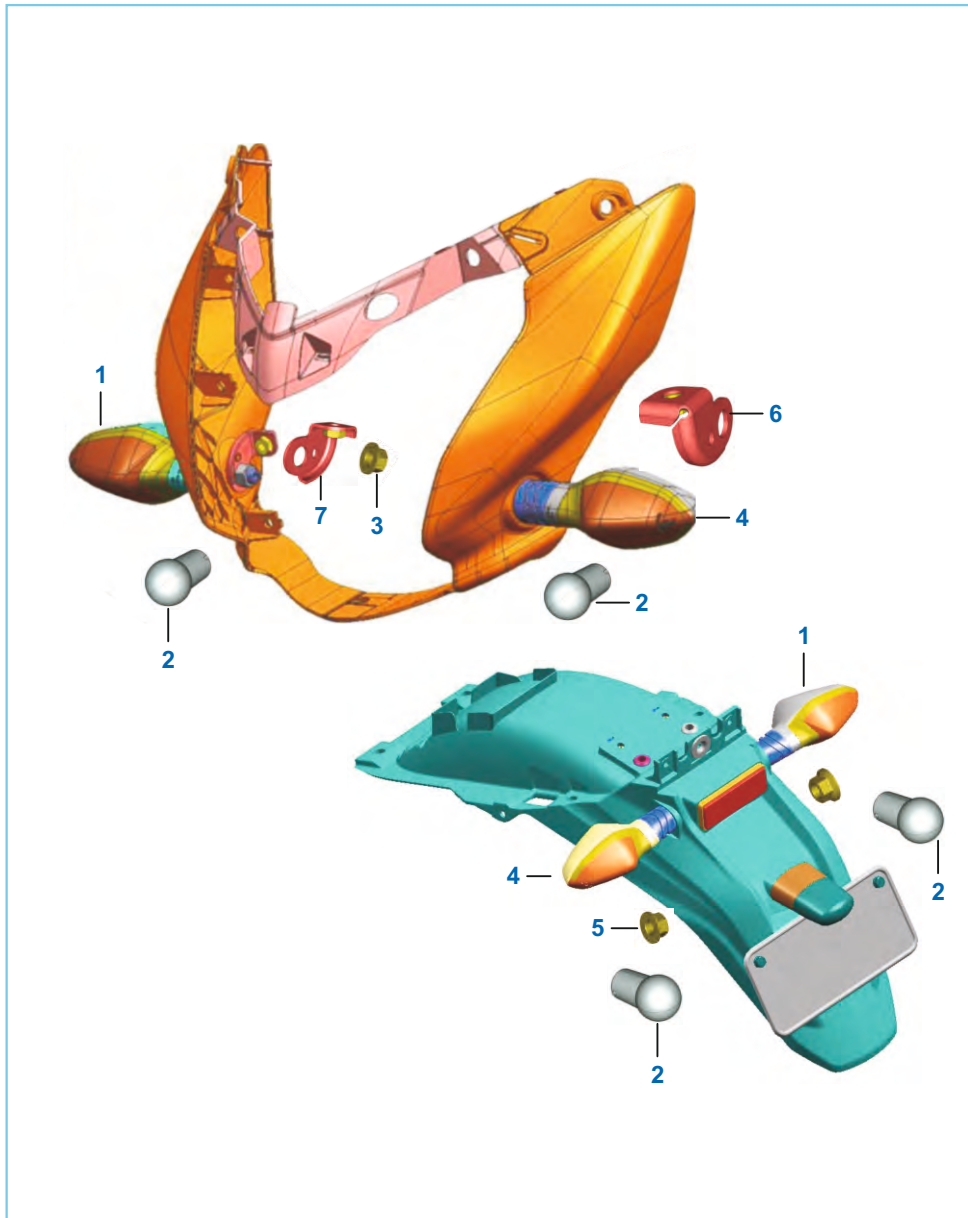
No.	Part No.	Description	Qty.	Remarks
1	JZ 1812 14	Assembly Chain Cover	1	
2	DS 1612 24	Step Bolt	5	
3	JZ 1814 20	Cover Mud Rear	1	
4	JZ 1814 21	Flap Mud Cover	1	
5	JZ 1810 09	Tube Rear Hugger Mtg	1	
6	LA E000 21	Hexagon Bolt With Flange	2	
7	LA E000 01	Bolt Flange	2	
8	39 0219 11	Plain Washer	5	
9	39 1680 04	Flange Bolt	5	
10	39 1698 01	Screw Pan Level	3	
11	39 0242 11	Plain Washer	3	
12	39 0326 15	Nut Nylon	3	

Head Lamp & Fairing



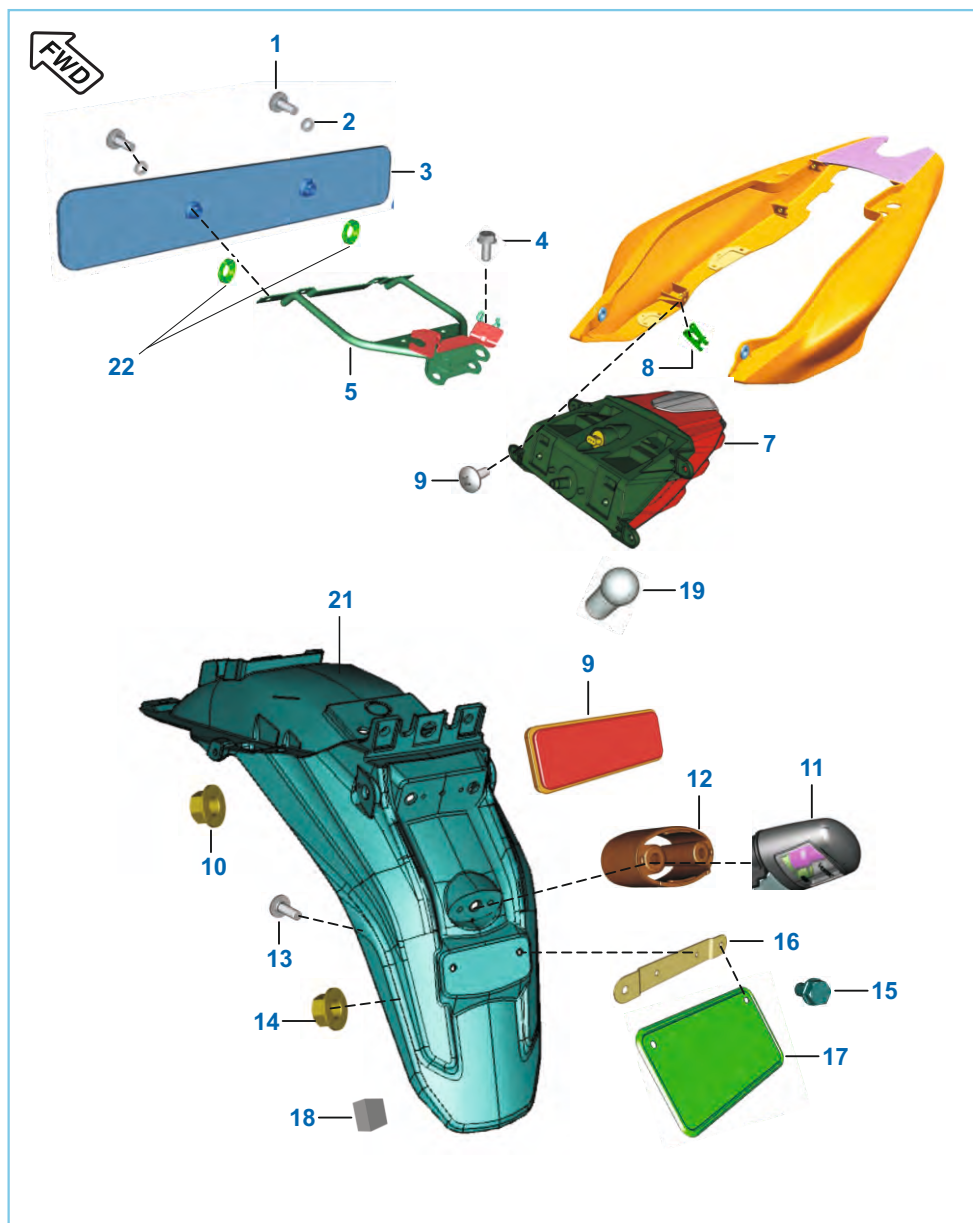
No.	Part No.	Description	Qty.	Remarks
1	KD BB05 12	Washer - Plain	9	
2	39 1907 01	Screw - Truss Cross : M5	10	
3	PA 1812 27	Fairing Mounting Structure	1	
4	JZ 4010 26	Assembly Headlamp	1	
5	39 1778 02	Screw - Tapping : 4 X 14	1	
6	39 0375 11	Washer - Plain	1	
7	JZ 1812 38	Assly Cowling	1	
8	JZ 1812 37	Windshield	1	
9	39 2141 24	Washer Nylon 5.3X11.5X1.5	2	
10	PA 1812 46	Nut Well - M5X0.8	2	
11	PA 1510 05	Assembly Lamp Shade	1	
12	39 1683 04	Bolt - Flange	2	
13	JZ 4010 29	Wiring Harness Head Lamp	1	N.I.
14	CL 2010 23	LAMP :- 12V-35/35W-HS1 FOR USA	1	
15	39 0956 15	Nut M8	2	
16	39 25 82 04	Hexagon Bolt with Flange	2	
17	39 1792 11	Washer	2	
18	39 1765 11	Washer	4	
19	DJ 1612 29	Nut	2	
20	39 1943 04	Bolt	2	
21	36 JZ01 01	KIT for Fairing Assly H.Ware	2	
22	JZ 1810 04	Foam Strip	4	
23	PA 1822 00	Damper Rubber Fairing RH	1	
24	PA 1822 01	Damper Rubber Fairing LH	1	

Indicator Light Assembly



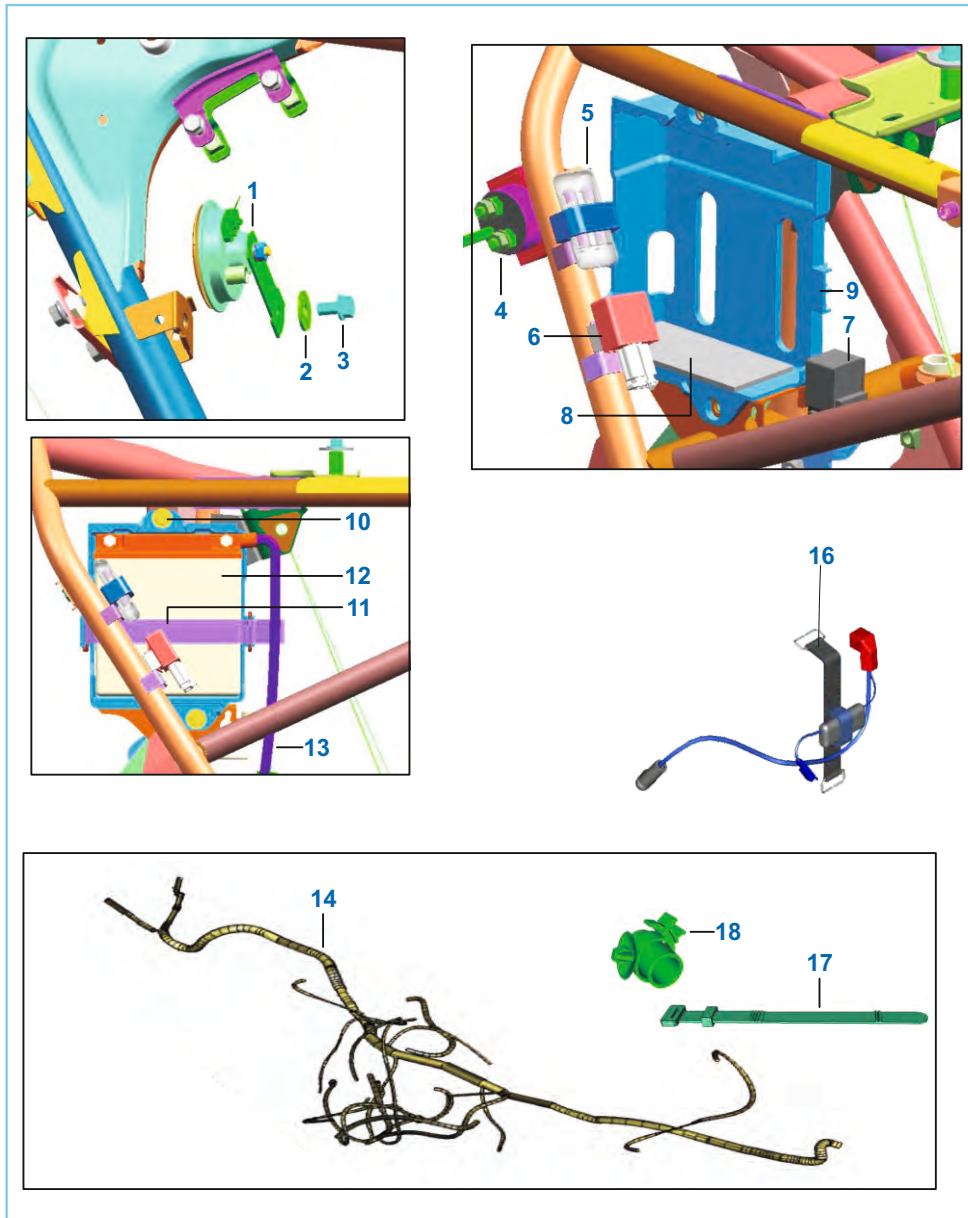
No.	Part No.	Description	Qty.	Remarks
1	JZ 4010 37	Indicator Front RH	1	
2	GH 2010 12	Lamp 12V-10W (COLOUR :- AMBER)	4	
3	LC A000 05	Nut Hex M10X1.25	2	
4	JZ 4010 36	Indicator Front LH	2	
5	39 1225 15	Nut - Hexagon With Flange : M10	2	
6	JZ 1812 60	Bracket Blinker Mtg LH	1	
7	JZ 1812 61	Bracket Blinker Mtg RH	1	
8	JZ 4010 39	Indicator RR RH	1	
9	JZ 4010 38	Indicator RR LH	2	

Tail Lamp Assly / Front Number Plate



No.	Part No.	Description	Qty.	Remarks
1	39 0044 01	Screw Round Head	2	
2	39 1501 11	Washer Plain	2	
3	JU 2328 00	Front Number Plate	1	
4	LA C000 13	Bolt Socket	2	
5	JZ 1812 99	Bracket Number Plate Mtg	1	
6	39 1907 01	Screw M5	4	
7	PA 4010 09	Tail Lamp Assly W/O Lamp	1	
8	DJ 1612 29	Clip Nut M5	4	
9	DD 2010 02	Reflector - Reflex	1	
10	39 2484 15	Nut - Flange : M5	1	
11	JD 4010 07	Rear Number Plate Lamp	1	
12	JZ 4010 42	Spacer Illumination Lamp	1	
13	KB UA05 45	Screw Trus	2	
14	39 2124 15	Nut - Hexagon With Flange : M6 X 1	2	
15	39 2476 04	Bolt - Hexagon Head With Flange:M6	2	
16	DJ 1610 72	Bracket - Rear Number Plate	1	
17	DF 1612 52	Plate - Number :- Rear In Black	1	
18	JZ 2328 05	Foam Rear Number Plate	1	
19	20 2010 29	Lamp :- 12V - 21/5W, P 21/5W	1	
20	JZ 4010 46	Bulb Holder With Inline Cables	1	N.I.
21	JZ 1814 19	Fender Rear RR	1	
22	JZ 2328 14	Pad Rubber Number Plate Bkt	2	

Electrical Equipments



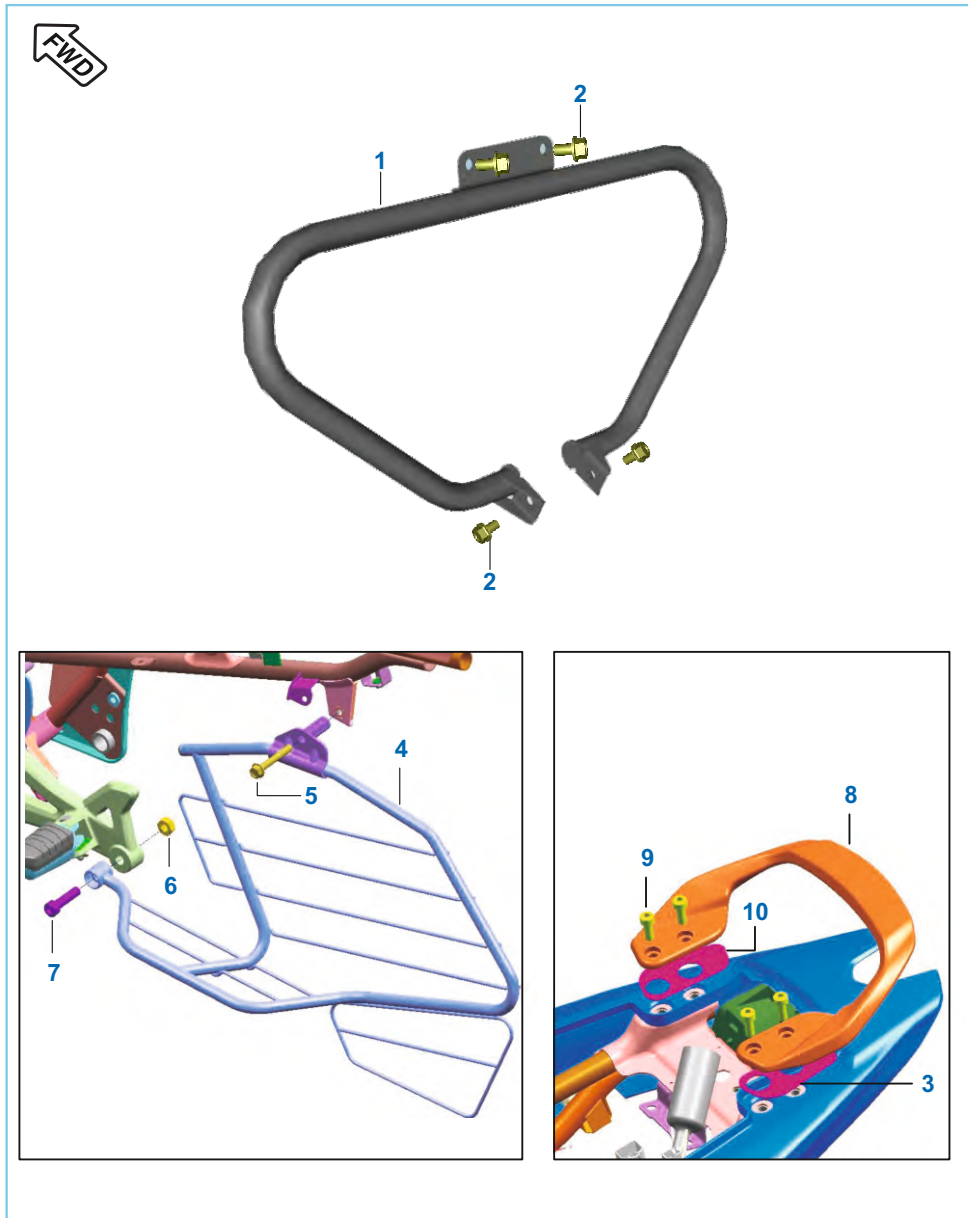
No.	Part No.	Description	Qty.	Remarks
1	PA 4016 00	Horn 82 DIA	1	
2	JK 4022 05	Cable Assy St. Motor To St Relay	1	N.I.
3	KC GA08 08	Hex Nut Flanged	1	
4	JN 3516 04	Starter Relay Grommet	1	
5	06 2012 84	FUSE 10 Amp	1	
6	DS 2010 25	Flasher - D. C. SOLID STATE	1	
7	JZ 4010 13	Headlamp Control Unit (VE MODEL)	1	
8	JZ 4018 09	Foam Battery 5 AH	1	
9	JZ 4018 03	Case Battery	1	
10	DS 1612 24	Step - Bolt	2	
11	JZ 4018 04	Band Battery	1	
12	DS 2010 82	Battery Mf Dry Charged 5AH	1	
14	PA 4022 16	Harness Wiring	1	
15	JV 4022 05	Cable Assy Battery To Earth	1	N.I.
16	PA 4022 26	Cable Relay To Battery With Fuse	1	
17	30 2010 64	Band	1	
18	60 1114 17	Clip Pstve Ht-27.4 15 D15 Pa66 B	1	

Tool Kit



No.	Part No.	Description	Qty.	Remarks
1	DJ 2210 19	Tool Kit With Banda	1	
2	DK 2210 24	Band Tool Kit	2	

Accessories / Grab Handle



No.	Part No.	Description	Qty.	Remarks
1	JZ 2312 25	Leg Guard	1	
2	KA DF08 14	Bolt Flange M8	4	
3	JZ 2314 10	Foam LH For Grab	1	
4	JZ 2312 12	Guard Saree	1	
5	KA DB08 55	Bolt Flange	1	
6	39 0296 15	Hexagoan Nut	1	
7	KA Cb10 40	Bolt Socket	1	
8	JZ 2314 03	Grab Handle	1	
9	KA CA08 20	Bolt-Socket	1	
10	JZ 2314 11	Foam RH For Grab	1	

Kit List



Sr No	Kit Part No.	Kit Description	Consisting of Following Parts		
			Part No.	Description	Qty/Kit
1	36JZ0079	Kit Asly Cyl Head	JE511009	CYLINDER HEAD COMP P145 UG	1
			39128321	RING - O	1
			39262921	O-RING	1
			39166005	STUD - M8	1
2	36JE0028	Kit Valve + Valve Oil Seal	JE511200	VALVE INTAKE P-145	1
			JE511201	VALVE EXHAUST P-145 UG	1
			39201719	SEAL - OIL	1
3	36JE0001	Kit Valve Repair Sprint	JD511203	SEAT VALVE SPRING	1
			39201719	SEAL - OIL	1
			JD511204	SPRING VALVE	1
			JD511205	RETAINER VALVE SPRING	1
			DG101029	COLLET	1
4	36PA0115	Kit Guide Cam Chain-d125t	JE541030	GUIDE CAM CHAIN SLACK SIDE	1
			JE521019	GUIDE CAM CHAIN TIGHT D102C	1
5	36JZ0074	Kit Block & Piston	JE521208	PISTON ASSEMBLY D102C	1
			52JE0093	CYLINDER BLOCK WITH PACKING	1
6	36JE0002	Kit Piston Ring Set Sprint	JE521202	TOP RING SHRIRAM	1
			JE521203	SECONG RING SHRIRAM	1
			JE521204	OIL RING SHRIRAM	1
7	36JZ0078	Kit assly C'Case RH	JE541018	CRANKCASE RH	1
			31101064	PLUG	1
			JA541011	NEEDLE ROLLER BEARING Hk1212	1
			PF541018	BUSHING DRUM BM150 4 SPD	1
8	36JZ0098	Kit Boss Kick Set-d102c	JZ621202	BOSS KICK LEVER D102A	1
			JZ621203	SPRING KICK LEVER	1
			30101236	BALL - STEEL	1
			22150241	WASHER - PLAIN	1
			30101235	PIN	1
			39085517	CIRCLIP :- E-TYPE	1
9	36JZ0075	Kit Assly Clutch Cover	JE541215	COVER CLUTCH D106A	1
10	36JE0024	Kit Friction	JE551410	PLATE CLUTCH FRICTION - D102C	1
11	36JZ0083	Kit Steering Cone	36JZ0100	KIT Stg Cone Dis 125	1
			DJ181115	CAGE BEARING - STEERING	1
			36001052	GREASE LETHON RR3 -10GM	1

Kit List



Sr No	Kit Part No.	Kit Description	Consisting of Following Parts		
			Part No.	Description	Qty/Kit
12	36JL0015	Kit Pillion Hardware	JD113019	PIN FOOT STEP	1
			30141031	RING - O	1
			30101236	BALL - STEEL	1
			39078408	PIN - SPLIT	1
			LDB00018	WASHER -PLAIN Silver	1
			GF161143	SPRING :- PILLION FOOTREST	1
13	36DK0017	Kit Hardware Brake Rod	30191038	PIN	1
			39021911	WASHER - PLAIN	1
			39080808	PIN - SPLIT	1
			30191035	SPRING	1
			15191026	PIN	1
14	36JZ0107	Kit Cylinder Fork	30191036	NUT - BRAKE ADJUSTER	1
15	36JZ0203	Kit Fairing Dcl El Blue	JZ121041	SEAT PIPE	1
			30181020	RING - FORK PISTON	1
			JZ121013	CAP OIL LOCK	1
			DM181008	SPRING FRONT FORK TWO PITCH	1
16	36JZ0202	Kit Tank Dcl El Blue	PA233420	FAIRING DECAL RH	1
			PA233419	FAIRING DECAL LH	1
17	36JZ0204	Kit S Cowl Dcl El Blue	PA233418	TANK DECAL LOWER RH	1
			PA233416	TANK DECAL UPPER RH	1
			PA233417	TANK DECAL LOWER LH	1
			PA233415	TANK DECAL UPPER LH	1
18	36JZ0101	KIT for Fairing Assly H.Ware	PA233422	SEAT COWL DECAL RH	1
			PA233421	SEAT COWL DECAL LH	1
19	36JZ0101	KIT for Fairing Assly H.Ware	JL181245	GROMMET NO. PLATE MOUNTING	1
			JL181246	COLLAR NO. PLATE MOUNTING	1
			39155204	BOLT - FLANGE :- M6	1
20	DJ221019	Tool Kit With Banda	JL181245	GROMMET NO. PLATE MOUNTING	1
			JL181246	COLLAR NO. PLATE MOUNTING	1
			39155204	BOLT - FLANGE :- M6	1
			DJ221018	TOOL BAG	1
			DJ221014	SCREW DRIVER	1
			DJ221012	TOOL WRENCH (BOX 14 X 16)	1
			DJ221010	TOOL WRENCH - 13 X 17	1
			DJ221011	TOOL WRENCH - 22 X 27 X 10	1
			30221009	TOOL BAR	1
			DK221024	BAND TOOL KIT	1

Kit List

DISCOVER 125ST

Sr No	Kit Part No.	Kit Description	Consisting of Following Parts		
			Part No.	Description	Qty/Kit

Kit List

DISCOVER 125ST

Sr No	Kit Part No.	Kit Description	Consisting of Following Parts		
			Part No.	Description	Qty/Kit

Kit List

DISCOVER 125ST

Sr No	Kit Part No.	Kit Description	Consisting of Following Parts		
			Part No.	Description	Qty/Kit

Kit List

DISCOVER 125ST

Sr No	Kit Part No.	Kit Description	Consisting of Following Parts		
			Part No.	Description	Qty/Kit

Amendment Sheet

Page no.	Fig. no.	Old part no.	New part no.	Description	Updation date	Remarks
12	4	59110008	LDA00025	Washer Plain	05.04.19	Added Ref.Cir.IB-358
12	11	-----	36JZ0213	Kit Connecting Rod	12.07.19	Added

Amendment Sheet

Page no.	Fig. no.	Old part no.	New part no.	Description	Updation date	Remarks
----------	----------	--------------	--------------	-------------	---------------	---------

Parts Index



Part Number	Figure No.	Page No.	Part Number	Figure No.	Page No.
01100905	12	18	36JE0016	2	34
06201284	5	96	36JE0017	3	34
20201029	19	94	36JE0018	4	34
22150241	14	26	36JE0019	5	34
30101096	5	32	36JE0020	6	34
30101142	18	28	36JE0021	7	34
30101195	3	30	36JE0022	8	34
30101236	8	54	36JE0024	6	32
30141031	4	52	36JE0028	1	6
30141031	4	54	36JL0015	16	54
30141031	3	80	36JZ0008	9	40
30141039	20	80	36JZ0023	3	32
30151011	15	68	36JZ0074	1	10
30151033	3	62	36JZ0075	1	28
30151038	16	68	36JZ0078	1A	20
30151069	14	68	36JZ0079	1	4
30151075	5	68	36JZ0080	2	68
30151096	19	70	36JZ0083	4	48
30181025	4	74	36JZ0089	9	78
30181026	5	74	36JZ0090	11	78
30181029	13	74	36JZ0091	9	78
30191038	14	52	36JZ0092	11	78
30191048	24	72	36JZ0095	9	78
30201064	17	96	36JZ0096	11	78
31101173	7	12	36JZ0098	11	26
31181108	27	74	36JZ0101	21	90
31201079	12	70	36JZ0107	9	74
31201081	8	22	36JZ0202	10	78
36Dh1902	4	64	36JZ0203	9	78
36DJ4032	7	66	36JZ0204	11	78
36DJ4033	8	66	36JZ0213	11	12
36DK0017	20	70	36PA0115	9	8
36JE0001	6	6	39004401	1	94
36JE0002	5	10	39019811	15	52

Parts Index



Part Number	Figure No.	Page No.	Part Number	Figure No.	Page No.
39019811	10	70	39099906	11	22
39021911	8	88	39099906	4	24
39024211	6	56	39099906	6	30
39024211	11	88	39100006	2	10
39029215	17	50	39100120	14	32
39029215	3A	70	39104011	5	52
39029615	6	100	39104011	5	54
39032615	8	56	39104119	10	28
39032615	12	88	39105315	9	50
39037511	6	90	39118101	21	74
39042215	9	58	39122515	5	92
39042215	18	72	39128321	4	4
39045411	13	50	39130911	20	42
39055302	12	50	39150111	2	94
39059417	2	8	39153721	5	70
39069415	18	70	39154011	17	70
39073817	3	26	39155304	3	70
39074011	12	80	39155604	2	56
39074701	10A	22	39167121	6A	28
39078408	6	52	39167304	13	8
39078408	6	54	39167304	5	28
39078912	16	70	39168004	9	88
39078912	20	74	39168304	12	90
39079708	6	58	39169801	7	56
39080708	18	50	39169801	10	88
39080808	16	52	39171519	3	22
39080808	11	70	39175904	12	22
39084914	10	40	39176511	18	90
39095615	15	90	39177802	5	90
39097204	7	40	39178924	8	82
39098004	10	32	39179104	8	52
39098717	4	14	39179211	17	90
39099206	7	16	39185004	9	38
39099311	6	26	39188020	16	8

Parts Index

DISCOVER 125ST

Part Number	Figure No.	Page No.	Part Number	Figure No.	Page No.
DJ181043	15	74	DS101215	11	28
DJ181085	14	74	DS101276	5	8
DJ181115	5	48	DS101355	22	14
DJ191027	15	64	DS121126	7	36
DJ191028	13	64	DS141012	17	80
DJ191029	2	64	DS141012	5	82
DJ191030	3	64	DS151010	17	72
DJ191031	5	64	DS151025	14	70
DJ191034	6	64	DS151047	3	60
DJ191035	7	64	DS151051	4	60
DJ191056	8	64	DS151058	8	62
DJ191057	1	64	DS151073	10	68
DJ191057	25	72	DS151090	17	68
DJ191083	7	72	DS151094	20	68
DJ201108	16	64	DS161125	3	56
DJ201109	9	64	DS161224	13	56
DJ201109	28	72	DS161224	2	88
DJ201173	10	56	DS161224	10	96
DJ221019	1	98	DS181007	14	72
DK101386	7	8	DS181012	12	74
DK121041	9	34	DS181015	22	74
DK141028	5	80	DS181016	23	74
DK141041	18	80	DS191052	8	72
DK151069	11	64	DS201025	6	96
DK171006	7	50	DS201082	12	96
DK201049	7	48	DS211007	4	44
DK221024	2	98	DU101213	21	14
DL181080	26	74	DU161102	6A	82
DP121018	18	34	DX151022	25	68
DP121018	9	36	DX191001	20	72
DP121025	6	36	DZ141075	21	80
DP121059	17	34	FD101078	2	24
DS101117	4	26	GF161143	3	54
DS101154	8	12	GH201012	2	92

Parts Index

DISCOVER 125ST

Part Number	Figure No.	Page No.	Part Number	Figure No.	Page No.
JA113403	7	46	JA621402	1	40
JA351600	4	40	JA621406	2	40
JA511008	5	2	JA621410	3	40
JA511028	6	4	JA621414	6	40
JA511216	4	8	JB113005	10	38
JA531012	9	12	JB131017	10	62
JA531015	6	12	JB401400	5	72
JA541005	5	22	JB402202	6	10
JA541005	7	30	JB531021	10	12
JA541010	5	20	JB551406	8	32
JA541011	3	20	JB551408	4	32
JA541012	8	20	JB551411	7	32
JA541016	3	24	JD111052	9	80
JA541021	15	22	JD111052	3	82
JA541028	6	42	JD113019	2	54
JA541034	10	22	JD131212	26	68
JA541044	4	30	JD131215	24	68
JA541205	8	30	JD141003	1	68
JA541211	14	28	JD161002	6	70
JA541212	15	28	JD161006	7	70
JA541225	11	20	JD351206	14	42
JA541225	13	28	JD401007	11	94
JA541233	2	30	JD511004	2	4
JA541236	16	28	JD511008	7	4
JA541237	17	28	JD511010	3	2
JA551002	3	14	JD511209	5	6
JA551004	8	14	JD531004	5	12
JA551008	17	14	JD551400	11	32
JA551009	18	14	JD561004	3	16
JA551406	2	32	JD561006	2	16
JA551420	12	32	JD561011	6	16
JA621002	5	26	JD561204	18	18
JA621006	2	26	JD561416	7	18
JA621206	13	26	JE351004	1	42

Parts Index

DISCOVER 125ST

Part Number	Figure No.	Page No.	Part Number	Figure No.	Page No.
39190204	2	18	39272315	8	46
39190204	3	44	52JA0027	10	20
39190204	21	72	52JA0028	15	32
39190701	2	90	52JA0029	7	20
39190701	6	94	52JZ0264	1	18
39194004	6	46	52JZ0355	16	74
39194304	8	36	52JZ1886	1	76
39194304	11	82	52JZ1887	1	76
39194304	20	90	52JZ1888	1	76
39195604	1	82	52JZ1889	1	76
39197015	2	46	52JZ1895	5	76
39201719	2	6	52JZ1897	6	76
39212415	14	94	52JZ1904	4	76
39214124	9	90	52JZ1905	4	76
39217924	2	80	52JZ1906	4	76
39219019	6	22	52JZ1911	2	76
39229515	2	38	52JZ1912	2	76
39231004	18	52	52JZ1913	2	76
39240817	8	26	52JZ1914	2	76
39242411	2	82	56JZ05X3	3	76
39244704	19	68	56JZ893E	3	76
39247604	15	94	56JZ893F	3	76
39248415	6	80	59040006	12A	74
39248415	10	94	59040014	16	42
39253921	8	4	59040038	2	2
39256220	4	22	59040038	11A	22
39258204	3	72	59040038	4	28
39258204	16	90	59040038	10	30
39260011	3A	32	59040050	6	2
39260801	3	4	59150003	12	62
39262921	5	4	59150014	2	12
39265912	19	52	59200036	4	20
39266921	14	8	59200036	2	22
39267104	13	52	59210023	16	22

Parts Index

DISCOVER 125ST

Part Number	Figure No.	Page No.	Part Number	Figure No.	Page No.
59210024	19	14	DH101048	6	8
60111417	18	96	DH101301	6	38
AA121071	11	4	DH101302	5	38
AP101255	4	80	DH101380	6	20
BF561219	14	18	DH101380	7	42
CF111019	17	42	DH101392	10	8
CL201023	14	90	DH101509	13	18
CS101128	11	8	DH101639	9	20
DD101062	3	8	DH101781	8	40
DD101097	12	26	DH101784	9	22
DD111011	12	42	DH111013	15	42
DD111012	10	42	DH111015	13	42
DD111018	17	42	DH121041	15	34
DD111048	11	42	DH121059	11	34
DD121181	8	28	DH121063	14A	34
DD141227	13	80	DH121064	12	34
DD161071	11	38	DH121093	13	34
DD181032	6	74	DH151029	15	70
DD201002	9	94	DH151039	28	74
DE151006	2	62	DH161157	14	54
DE151008	5	62	DH161158	12	56
DE151012	4	62	DH161194	17	52
DE151046	2	66	DH161233	2	44
DE151047	3	66	DH171019	23	68
DE151048	5	66	DJ141008	4	82
DE191010	10	64	DJ161069	4	56
DE191043	14	64	DJ161072	16	94
DF161102	1	58	DJ161227	19	50
DF161252	17	94	DJ161228	11	30
DG101029	3	6	DJ161229	9	82
DG101418	12	28	DJ161229	19	90
DG161121	7	82	DJ161229	8	94
DG171018	5	50	DJ161278	14	54
DG171019	6	50	DJ181042	17	74

Parts Index

DISCOVER 125ST

Part Number	Figure No.	Page No.	Part Number	Figure No.	Page No.
JE351005	2	42	JH521007	3	10
JE351206	3	42	JK121007	7	74
JE351401	4	10	JK121009	8	74
JE501006	1	20	JK402205	2	96
JE511049	15	8	JL113028	7	52
JE511204	4	6	JL113028	9	54
JE511206	1	8	JL131807	4	66
JE511230	8	8	JL171060	15	80
JE521016	12	8	JL171803	14	80
JE531001	3	12	JL181219	10	82
JE531008	1	12	JL181225	14	50
JE541008	9	26	JL561409	11	18
JE541038	7	22	JL561410	10	18
JE541039	1	22	JM191014	13	70
JE541230	5	30	JN131203	7	68
JE541231	6	28	JN131211	21	68
JE551200	7	14	JN131812	13	68
JE551201	5	14	JN181211	14	62
JE551205	10	14	JN351604	4	96
JE551206	13	14	JU232800	3	94
JE551215	16	14	JV402205	15	96
JE551216	14	14	JW131801	1	66
JE551409	13	32	JW131805	12	64
JE561005	5	16	JW131807	6	66
JE561006	1	16	JW161017	6	82
JE581213	10	34	JW181241	13	62
JE581218	16	34	JW541000	3	28
JE581223	14	34	JW541005	2	28
JE581231	1	34	JW561206	15	18
JE591002	3	38	JW561208	16	18
JE621001	1	26	JW591030	7	38
JG113052	22	52	JZ111298	1	48
JG131219	6	68	JZ113020	20	52
JG571024	13	22	JZ113021	9	52

Parts Index

DISCOVER 125ST

Part Number	Figure No.	Page No.	Part Number	Figure No.	Page No.
JZ113023	17	54	JZ122012	16	50
JZ113026	12	54	JZ122058	8	50
JZ113027	10	52	JZ122093	3	50
JZ113028	1	52	JZ131028	1	60
JZ113031	1	54	JZ131224	2	60
JZ113032	11	54	JZ131601	9	62
JZ113035	11	52	JZ131803	18	68
JZ113035	15	54	JZ131810	8	70
JZ113036	2	52	JZ131813	9	68
JZ113039	3	52	JZ131818	6	62
JZ113042	13	54	JZ131875	9	70
JZ113203	2	58	JZ131880	24	74
JZ113204	7	58	JZ151045	15A	72
JZ113209	5	58	JZ151064	9	72
JZ113210	8	58	JZ151065	19	72
JZ113211	8A	58	JZ151069	10	72
JZ113212	5A	58	JZ151070	2	72
JZ113214	4	58	JZ151078	15	72
JZ113410	5	46	JZ151079	16	72
JZ113411	9	46	JZ151083	6	48
JZ113435	1	46	JZ151084	3	48
JZ113436	1a	46	JZ151091	25	74
JZ113805	2	48	JZ161011	4	70
JZ113806	10	50	JZ161019	2	70
JZ113808	9	48	JZ161023	6	72
JZ121015	19	74	JZ161024	12	52
JZ121027	1	74	JZ161034	1	70
JZ121030	2	74	JZ161207	2	86
JZ121031	3	74	JZ161208	3	86
JZ121040	10	74	JZ161210	1	86
JZ122003	1	50	JZ161217	7	44
JZ122005	11	50	JZ171004	1	80
JZ122008	15	50	JZ171017	8	80
JZ122010	4	50	JZ171807	10	80

Parts Index

DISCOVER 125ST

Part Number	Figure No.	Page No.	Part Number	Figure No.	Page No.
JZ171817	16	80	JZ232600	27	72
JZ171818	19	80	JZ232805	18	94
JZ171829	11	80	JZ232814	22	94
JZ181004	22	90	JZ233177	8	78
JZ181007	4	72	JZ233178	7	78
JZ181009	5	88	JZ351211	8	42
JZ181012	13	72	JZ351213	9	42
JZ181013	12	72	JZ401013	7	96
JZ181214	1	88	JZ401026	4	90
JZ181237	8	90	JZ401029	13	90
JZ181238	7	90	JZ401036	4	92
JZ181260	6	92	JZ401037	1	92
JZ181261	7	92	JZ401038	9	92
JZ181269	14	82	JZ401039	8	92
JZ181270	13	82	JZ401042	12	94
JZ181271	16	82	JZ401046	20	94
JZ181299	5	94	JZ401400	26	72
JZ181322	10	48	JZ401403	9A	72
JZ181415	1	56	JZ401408	1	72
JZ181416	5	56	JZ401803	9	96
JZ181419	9	56	JZ401803	19	96
JZ181419	21	94	JZ401804	11	96
JZ181420	3	88	JZ401809	8	96
JZ181421	4	88	JZ402000	4	42
JZ191000	1	44	JZ402600	7	80
JZ191010	5	44	JZ511021	1	2
JZ191011	6	44	JZ541209	1	30
JZ231212	4	100	JZ541214	7	28
JZ231225	1	100	JZ541226	9	30
JZ231403	8	100	JZ551004	20	14
JZ231410	3	100	JZ551008	9	14
JZ231411	10	100	JZ551010	1	14
JZ231600	22	72	JZ551202	2	14
JZ231601	23	72	JZ551205	15	14

Parts Index

DISCOVER 125ST

Part Number	Figure No.	Page No.	Part Number	Figure No.	Page No.
JZ551210	11	14	KBUA0545	13	94
JZ551211	12	14	KCGA0808	3	96
JZ551213	6	14	KDAA1222	11	62
JZ551413	1	32	KDBB0512	1	90
JZ551415	9	32	KHAA2015	6	18
JZ561002	4	16	KPBB6202	3	68
JZ561201	3	18	KPBB6301	1	62
JZ561402	9	18	KPBB6302	4	68
JZ561404	5	18	KPBC6004	8	68
JZ561405	8	18	LAC00002	7	62
JZ561407	4	18	LAC00005	10	54
JZ571000	1	24	LAC00013	4	94
JZ571001	5	24	LAC00019	2	50
JZ581020	1	36	LAC00031	11	72
JZ581025	5	36	LAC00052	5	42
JZ581026	4	36	LAD00011	5	40
JZ581032	3	36	LAD00048	10	46
JZ581229	10	4	LAD00121	4	46
JZ581405	9	4	LAD00122	3	46
JZ591071	1	38	LAE00001	7	88
JZ591095	4	38	LAE00021	6	88
JZ621000	7	26	LAE00022	11	56
JZ621200	10	26	LBU00004	15	62
JZ73053F	4	76	LBU00005	16	62
KACA0820	9	100	LBU00007	15	82
KACb1040	7	100	LCA00005	3	92
KADA0510	8	38	LCB00005	12	68
KADA0618	2	36	LDA00018	12	82
KADB0855	5	100	LDA00025	4	12
KADF0814	2	100	LDB00001	22	68
KAEd0612	8	48	LDB00019	21	52
KAED0614	19	42	LDB00044	19	18
KAED0620	18	42	LJA00004	14	22
KAED0620	22	80	PA113042	7	54

